

ILUMI GROUND

GENERAL CARD



TECHNICAL PARAMETERS

Rated power of the luminaire [W]*:	17.00; 30.00
Colour temperature [K]:	3000; 4000
Luminous flux [lm]*:	1390 - 4060
Ingress protection:	IP67
Impact resistance:	IK10
Colour rendering index:	80
Material of the body:	aluminium
Colour of the body:	silver
Beam angle [°]:	10; 30
Working temperature [°C]:	from -20 to +55
Dimensions (H/W/T/S) [mm]:	f148; f216.5;

CHARACTERISTICS

The Ilumi Ground series was designed for the most demanding customers looking for customised and economical solutions. The body of the luminaire is made of cast aluminium, which has enabled a significant reduction in weight and price. A mounting box is included.

APPLICATION

The luminaires are ideal for illuminating garden or park spaces. Due to their lightweight construction, they are easy to install on external walls. The Ilumi Ground luminaire can be used to illuminate a wide range of spaces and objects, such as parks, gardens, terraces, squares, premises and plants.

ILUMI GROUND

GENERAL CARD

AVAILABLE VERSIONS



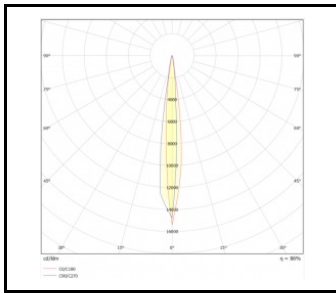
Click index >>, to see details

Rated power of the luminaire [W]*	Colour temperature [K]	Luminous flux [lm]*	Version	Beam angle [°]	Dimensions (H/W/T/S) [mm]	Index
17	3000	1390	S	10	fi148	>> 377228
17	3000	1390	S	30	fi148	>> 377235
17	4000	1450	S	10	fi148	>> 377242
17	4000	1450	S	30	fi148	>> 377259
30	3000	3700	M	10	fi216.5	>> 377266
30	3000	3700	M	30	fi216.5	>> 377273
30	4000	4060	M	10	fi216.5	>> 377280
30	4000	4060	M	30	fi216.5	>> 377297

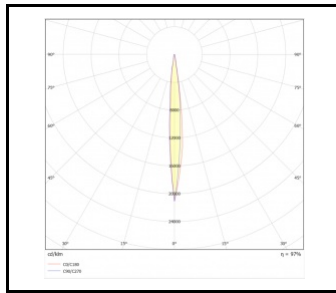
ILUMI GROUND

GENERAL CARD

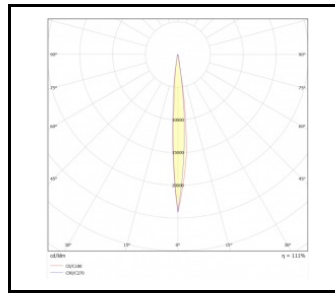
LUMINOUS INTENSITY DISTRIB. CURVE



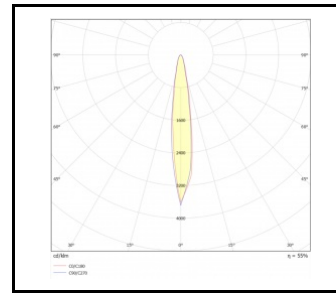
10°



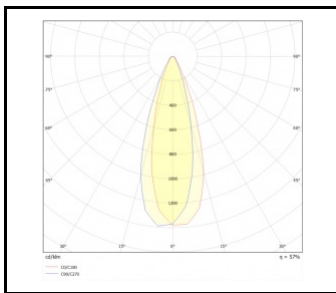
10°



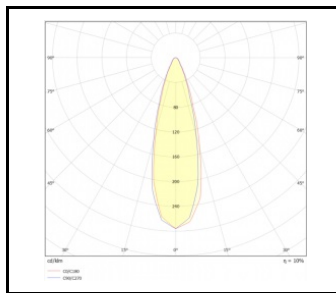
10°



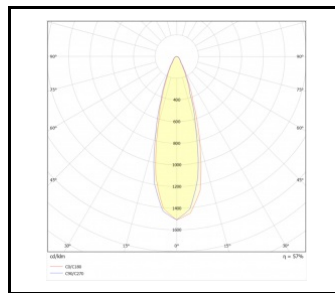
10°



30°



30°

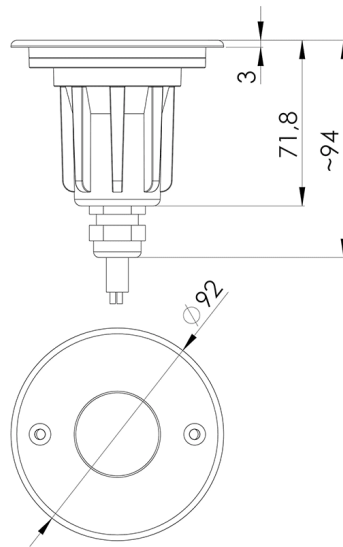


30°

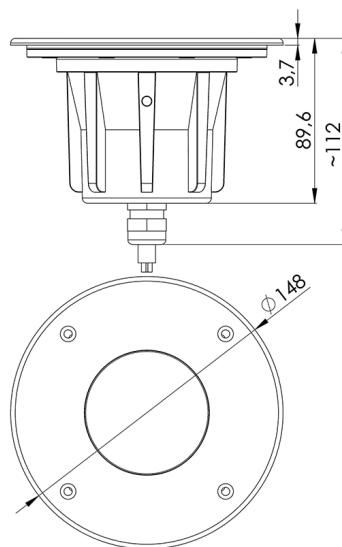
ILUMI GROUND

GENERAL CARD

Ilumi Ground XS



Ilumi Ground S



Card creation date: 02 January 2025

The company reserves the right to make design changes or upgrades in the presented product. Product data sheet does not constitute an offer. * Parameter tolerance is +/- 10%



This product is a subject to electric and electronic waste equipment regulations (WEEE).



Certificate CE - Nr: 80/2024

Ilumi Ground M

