

BARIS 52 LED CONNECTORS

GENERAL CARD



TECHNICAL PARAMETERS

Ingress protection:	IP20; IP44
Impact resistance:	IK03
Rated power of the luminaire [W]*:	16.00; 17.00
Luminous flux [lm]*:	1450; 1950; 2100
Colour temperature [K]:	3000; 4000; 6500
Colour temperature [K] - range:	2700-6500
Colour rendering index:	>80
SDCM:	≤ 3
Diffuser material:	PC
Diffuser type:	OPAL; UGR
Material of the body:	aluminium
Colour of the body:	Anoda; black; grey; white
Mounting version:	surface, suspended; suspended; zawieszany/natynk
Warranty [years]:	5
Dimensions (H/W/T/S) [mm]:	560/560/52 - 1101/194/52

CHARACTERISTICS

The key feature of L, T, X, V connectors is that they are equipped with integrated electronics and a diffuser, thanks to which the profile route bends remain illuminated along the entire length. Body is made of anodized aluminium profile in grey or aluminium profile painted white or black (other colors available on request). The optical system is complemented by a dedicated, flexible opal cover that evenly illuminates the connector. There is no division into surface mounted and suspended versions, which make the solution more universal.

Connectors (T, X, L, V) are supplied with an OPAL diffuser.

Connectors T, X, L, V UGR, and PRM diffusers are available on request.

APPLICATION

BARIS 52 LED connectors in the shape of the letter L, T, X, V and straight connectors create extraordinary opportunities to configure the light line matched to the character and shape of the room, allowing you to create virtually unlimited straight sequences, figures and patterns.

BARIS 52 LED CONNECTORS

GENERAL CARD

AVAILABLE VERSIONS



Click index >>, to see details

BARIS 52 LED CONNECTORS L

Rated power of the luminaire [W]*	Luminous flux [lm]*	Colour temperature [K]	Colour temperature [K] - range	Diffuser type	Colour of the body	DIMM DALI	Product line	Dimensions (H/W/T/S) [mm]	Index
16	1450		2700-6500	UGR	white	yes	L	560/560/52	>> 470547
17	2100	4000		OPAL	grey		L	560/560/52	>> 317712
17	2100	4000		OPAL	white		L	560/560/52	>> 317743
17	2100	4000		OPAL	black		L	560/560/52	>> 317774
17	2100	6500		OPAL	white		L	560/560/52	>> 675935
17	2100	4000		OPAL	grey	yes	L	560/560/52	>> 317804
17	2100	4000		OPAL	white	yes	L	560/560/52	>> 317835
17	2100	4000		OPAL	black	yes	L	560/560/52	>> 317866

BARIS 52 LED CONNECTORS T

Rated power of the luminaire [W]*	Luminous flux [lm]*	Colour temperature [K]	Colour temperature [K] - range	Diffuser type	Colour of the body	DIMM DALI	Product line	Dimensions (H/W/T/S) [mm]	Index
17	2100	4000		OPAL	grey		T	560/560/52	>> 317729
17	2100	4000		OPAL	white		T	560/560/52	>> 317750
17	2100	4000		OPAL	black		T	560/560/52	>> 317781
17	1950	3000		OPAL	grey		T	560/560/52	>> 927973
17	2100	4000		OPAL	grey	yes	T	560/560/52	>> 317811
17	2100	4000		OPAL	white	yes	T	560/560/52	>> 317842
17	2100	4000		OPAL	black	yes	T	560/560/52	>> 317873
17	1950	3000		OPAL	black	yes	T	560/560/52	>> 320064

BARIS 52 LED CONNECTORS V 115°

Rated power of the luminaire [W]*	Luminous flux [lm]*	Colour temperature [K]	Colour temperature [K] - range	Diffuser type	Colour of the body	DIMM DALI	Product line	Dimensions (H/W/T/S) [mm]	Index
17	2100	4000		OPAL	Anoda		V 115°	823/546/52	>> 677274
17	2100	4000		OPAL	white		V 115°	823/546/52	>> 677281
17	2100	4000		OPAL	black		V 115°	823/546/52	>> 677298

BARIS 52 LED CONNECTORS V 125°

Rated power of the luminaire [W]*	Luminous flux [lm]*	Colour temperature [K]	Colour temperature [K] - range	Diffuser type	Colour of the body	DIMM DALI	Product line	Dimensions (H/W/T/S) [mm]	Index
17	2100	4000		OPAL	Anoda		V 125°	903/500/52	>> 677304
17	2100	4000		OPAL	white		V 125°	903/500/52	>> 677311
17	2100	4000		OPAL	black		V 125°	903/500/52	>> 677328

BARIS 52 LED CONNECTORS

GENERAL CARD

BARIS 52 LED CONNECTORS V 145°

Rated power of the luminaire [W]*	Luminous flux [lm]*	Colour temperature [K]	Colour temperature [K] - range	Diffuser type	Colour of the body	DIMM DALI	Product line	Dimensions (H/W/T/S) [mm]	Index
17	2100	4000		OPAL	Anoda		V 145°	1031/367/52	>> 677335
17	2100	4000		OPAL	white		V 145°	1031/367/52	>> 677342
17	2100	4000		OPAL	black		V 145°	1031/367/52	>> 677359

BARIS 52 LED CONNECTORS V 150°

Rated power of the luminaire [W]*	Luminous flux [lm]*	Colour temperature [K]	Colour temperature [K] - range	Diffuser type	Colour of the body	DIMM DALI	Product line	Dimensions (H/W/T/S) [mm]	Index
17	2100	4000		OPAL	Anoda		V 150°	1054/327/52	>> 677366
17	2100	4000		OPAL	white		V 150°	1054/327/52	>> 677373
17	2100	4000		OPAL	black		V 150°	1054/327/52	>> 677380

BARIS 52 LED CONNECTORS V 160°

Rated power of the luminaire [W]*	Luminous flux [lm]*	Colour temperature [K]	Colour temperature [K] - range	Diffuser type	Colour of the body	DIMM DALI	Product line	Dimensions (H/W/T/S) [mm]	Index
17	2100	4000		OPAL	Anoda		V 160°	1090/240/52	>> 677397
17	2100	4000		OPAL	white		V 160°	1090/240/52	>> 677403
17	2100	4000		OPAL	black		V 160°	1090/240/52	>> 677410

BARIS 52 LED CONNECTORS V 165°

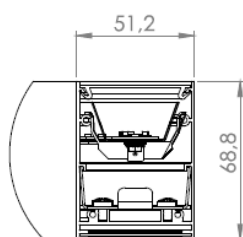
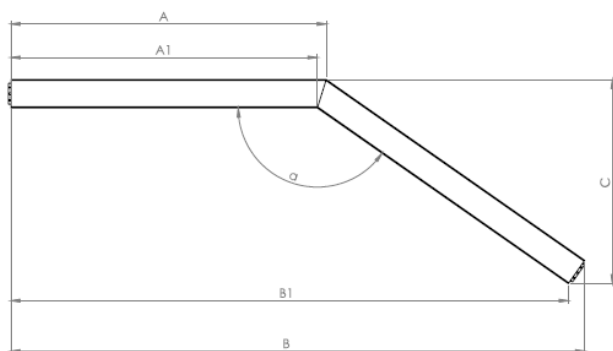
Rated power of the luminaire [W]*	Luminous flux [lm]*	Colour temperature [K]	Colour temperature [K] - range	Diffuser type	Colour of the body	DIMM DALI	Product line	Dimensions (H/W/T/S) [mm]	Index
17	2100	4000		OPAL	Anoda		V 165°	1101/194/52	>> 677427
17	2100	4000		OPAL	white		V 165°	1101/194/52	>> 677434
17	2100	4000		OPAL	black		V 165°	1101/194/52	>> 677441

BARIS 52 LED CONNECTORS X

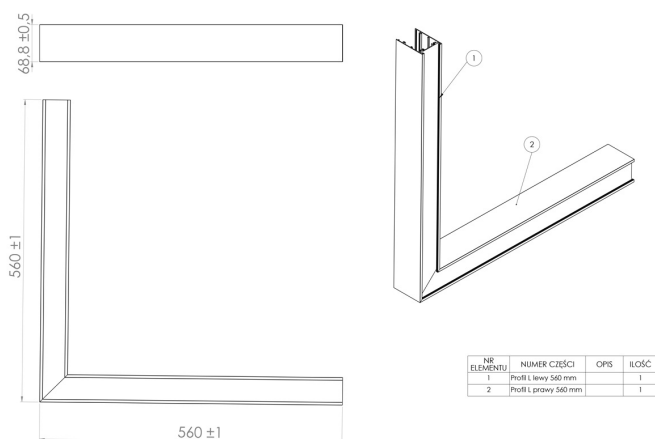
Rated power of the luminaire [W]*	Luminous flux [lm]*	Colour temperature [K]	Colour temperature [K] - range	Diffuser type	Colour of the body	DIMM DALI	Product line	Dimensions (H/W/T/S) [mm]	Index
17	2100	4000		OPAL	grey		X	560/560/52	>> 317736
17	2100	4000		OPAL	white		X	560/560/52	>> 317767
17	2100	4000		OPAL	black		X	560/560/52	>> 317798
17	2100	4000		OPAL	grey	yes	X	560/560/52	>> 317828
17	2100	4000		OPAL	white	yes	X	560/560/52	>> 317859
17	2100	4000		OPAL	black	yes	X	560/560/52	>> 317880
17	1950	3000		OPAL	black	yes	X	560/560/52	>> 320071

BARIS 52 LED CONNECTORS

GENERAL CARD



α	A	A1	B	B1	C
115°	578 [mm]	546 [mm]	823 [mm]	776 [mm]	546 [mm]
125°	574 [mm]	547 [mm]	903 [mm]	861 [mm]	500 [mm]
145°	567 [mm]	551 [mm]	1031 [mm]	1002 [mm]	367 [mm]
150°	565 [mm]	551 [mm]	1054 [mm]	1029 [mm]	327 [mm]
160°	562 [mm]	553 [mm]	1090 [mm]	1072 [mm]	240 [mm]
165°	560 [mm]	553 [mm]	1101 [mm]	1088 [mm]	194 [mm]



Card creation date: 28 January 2025

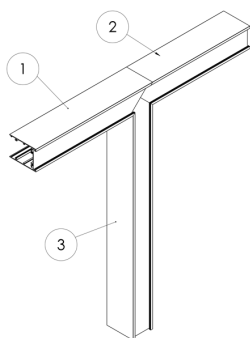
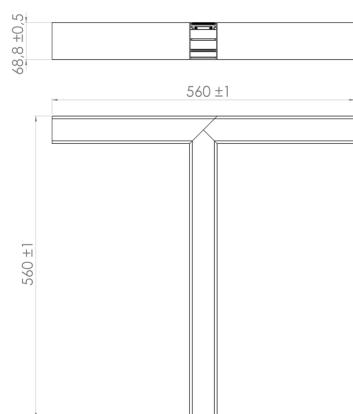
The company reserves the right to make design changes or upgrades in the presented product. Product data sheet does not constitute an offer. * Parameter tolerance is +/- 10%

 This product is a subject to electric and electronic waste equipment regulations (WEEE).

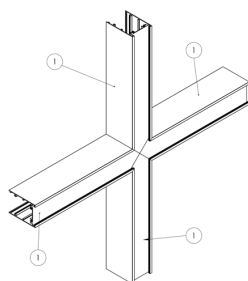
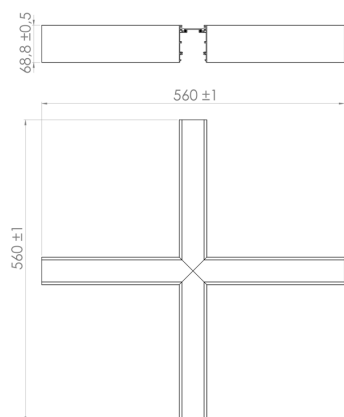
 Certificate CE - Nr: 07/2023; 338/2023; 338/2023 ; 342/2023

 **LENA**
LIGHTING

Lena Lighting S.A.
ul. Kórnicka 52, 63-000 Środa Wielkopolska
tel. +48 61 28 60 333 (Pn-Pt, 8-16), e-mail: hello@lenalighting.pl, www.lenalighting.pl



NR ELEMENTU	NUMER CZĘŚCI	OPIS	ILOŚĆ
1	Profil T 1x45 305,6 mm		1
2	Profil łącznik X1 2x45 280mm		1
3	Profil łącznik T 2x45 534,4 mm		1



NR ELEMENTU	NUMER CZĘŚCI	OPIS	ILOŚĆ
1	Profil łącznik X1 2x45 280 mm		4

