

# HULK 2 LED BASIC 19300LM 840 IP66 I KL. 105D 162W

DETAILED CARD



## TECHNICAL PARAMETERS

|   |                         |
|---|-------------------------|
| <b>Index:</b>                           | 963995                  |
| <b>Nominal power [W]:</b>               | 162                     |
| <b>Luminous flux [lm]*:</b>             | 19300                   |
| <b>Colour temperature [K]:</b>          | 4000                    |
| <b>Color rendering index (Ra) &gt;:</b> | 80                      |
| <b>SDCM:</b>                            | 5                       |
| <b>Electrical protection class:</b>     | I                       |
| <b>Energy efficiency class:</b>         | E                       |
| <b>Material of the body:</b>            | powder coated aluminium |
| <b>Diffuser material:</b>               | PC                      |

## CHARACTERISTICS

HULK 2 LED BASIC is a HIGH-BAY lamp from the NEXT GEN line, which is a new generation of lamps dedicated to LED technology. The body, designed from scratch, made of die-cast aluminum and powder coated, uses natural conduction and convection processes, which have a positive effect on the heat management of the lamp. The body shape with an integrated, effective heat sink and high-quality materials ensure maximum heat dissipation from the LED module. LEDs from a reputable manufacturer and new LED modules have an impact on high luminous efficacy: max 104 lm / W. This guarantees that the required lighting level is achieved and that significant energy savings are achieved. The DOB technology used ensures a very high Power Factor (0.99) and long life. The diffuser made of PC polycarbonate provides universal distribution of 105 degrees. Standard equipped with a 0.3 m long H07RN-F cable terminated with an additional male and female connector, facilitating and improving the assembly. Its design is adapted for suspended mounting, and with the use of additional accessories also surface-mounted (ceiling and wall).

## APPLICATION

The luminaire is designed for suspended mounting using chains, ropes, etc. and with the use of additional accessories also surface-mounted (ceiling and wall) both indoors and outdoors. It works perfectly in factories and production halls as well as large-scale warehouses and logistics centers. The luminaire is intended for general areas inside buildings – store rooms and storage rack areas as well as cold stores included in tables 5.4 and 5.5 of the EN12464 standard; for indoor traffic zones included in table 5.1 of the EN12464 standard and for parking areas and as lighting of railway installations included in table 5.34 and 5.53 of the EN12464 standard, excluding ticket and luggage offices, counters, waiting rooms, entrance halls and lounges.

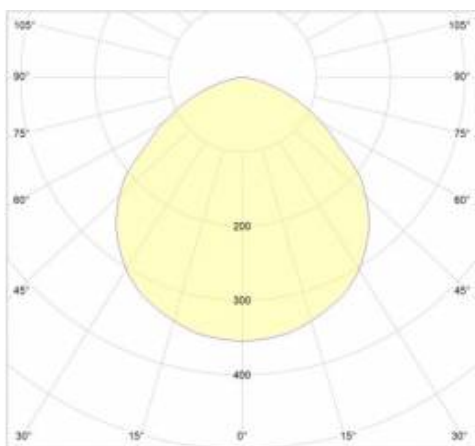
# HULK 2 LED BASIC 19300LM 840 IP66 I KL. 105D 162W

DETAILED CARD

## TECHNICAL PARAMETERS TABLE

|                                   |                         |                                      |   |
|-----------------------------------|-------------------------|--------------------------------------|---|
| Index:                            | 963995                  | Dimensions (H/W/T/S) [mm]:           | 35/371  |
| Nominal power [W]:                | 162                     | Impact resistance:                   | IK09  |
| Rated power of the luminaire [W]: | 186.40                  | Ingress protection:                  | IP66  |
| Frequency [Hz]:                   | 50 - 60                 | Mounting version:                    | surface, suspended  |
| Luminous flux [lm]:               | 19300                   | Working temperature [°C]:            | from -40 to +45   |
| Luminous efficacy [lm/W]:         | 104                     | Cable length [m]:                    | 0.30  |
| Energy efficiency class:          | E                       | Accessories included:                | Eye bolt  |
| Electrical protection class:      | I                       | Net weight [kg]:                     | 2.600   |
| Colour temperature [K]:           | 4000                    | Warranty [years]:                    | 3   |
| Color rendering index (Ra) >:     | 80                      | Category type:                       | high-bay and low-bay  |
| SDCM:                             | 5                       | Luminaire rated power $P_{min}$ [W]: | 186.40  |
| Power factor:                     | 0.99                    | LED lifespan L70B50 [h]:             | 136000  |
| Beam angle [°]:                   | 105                     | LED lifespan L80B10 [h]:             | 86000   |
| AC voltage range [V]:             | 220 – 240               | LED lifespan L90B10 [h]:             | 41000   |
| Surge protection [kV]:            | 3                       | CE certificate:                      | <a href="#">51/2020</a>   |
| Diffuser material:                | PC                      | Photobiological safety:              | Risk Group 1 (no photobiological hazard under normal behavioral limitation) |
| Diffuser type:                    | transparent             | Warranty [years]:                    | 5   |
| Diffuser colour:                  | transparent             | Manual:                              | <a href="#">Download PDF</a>  |
| Optics material:                  | PC                      | ETIM class:                          | EC001716  |
| Material of the body:             | powder coated aluminium | Pliik LDT:                           | <a href="#">Download</a>  |
| Colour of the body:               | grey                    |                                      |   |

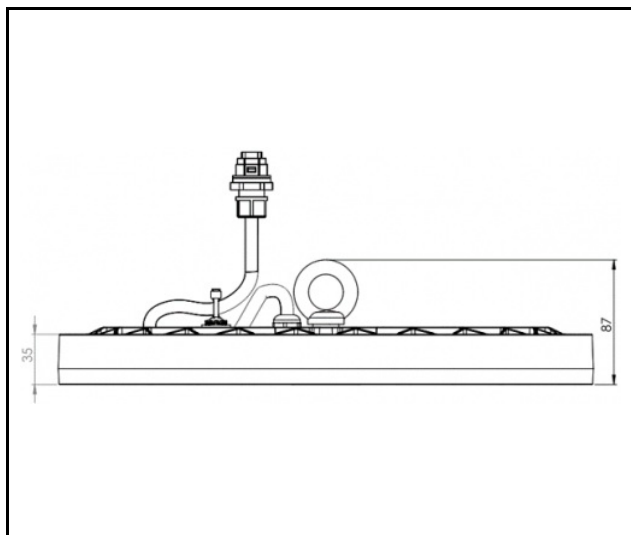
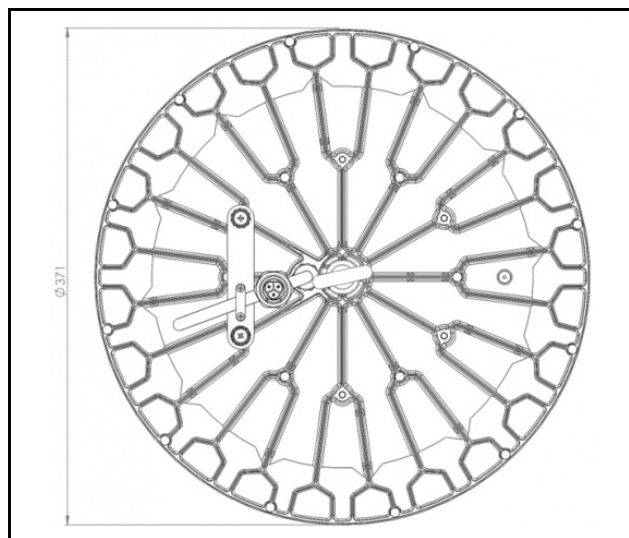
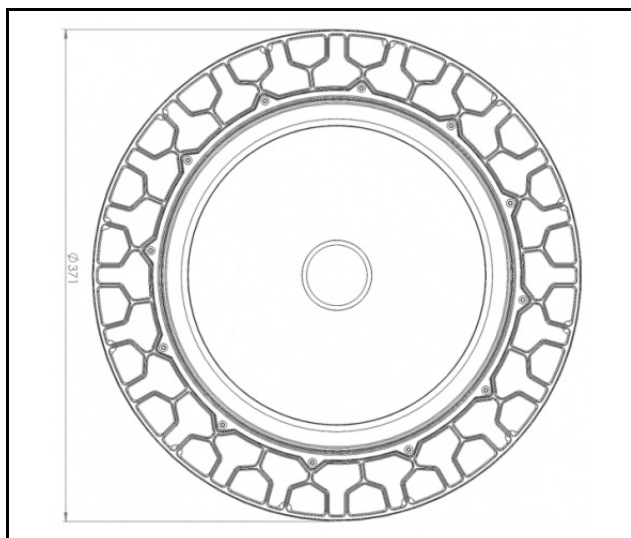
## LIGHT CURVES



# HULK 2 LED BASIC 19300LM 840 IP66 | KL. 105D 162W

DETAILED CARD

## TECHNICAL PICTURES



# HULK 2 LED BASIC 19300LM 840 IP66 I KL. 105D 162W

DETAILED CARD

## ACCESSORIES AVAILABLE

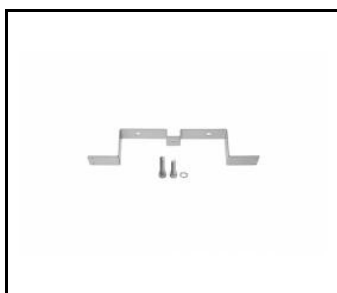
| index  | Name  |
|--------|---|
| 964244 | OCULUS LED - RCR motion sensor  |
| 964886 | OCULUS LED - universal handle-lack of compatibility with Dali version 294W        |
| 964893 | OCULUS LED - surface mounting handle-lack of compatibility with Dali version 294W |
| 964862 | OCULUS LED - protective grid  |



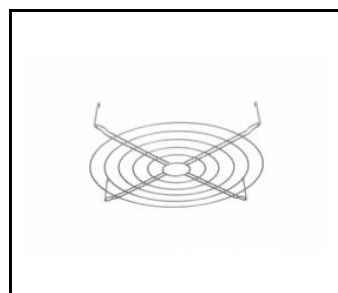
OCULUS LED - RCR motion sensor (964244)



OCULUS LED - universal handle-lack of compatibility with Dali version 294W (964886)



OCULUS LED - surface mounting handle-lack of compatibility with Dali version 294W (964893)



OCULUS LED - protective grid (964862)

Card creation date: 30 March 2023

The company reserves the right to make design changes or upgrades in the presented product. Product data sheet does not constitute an offer. \* Parameter tolerance is +/- 10%



This product is a subject to electric and electronic waste equipment regulations (WEEE).



Certificate CE - Nr: 51/2020