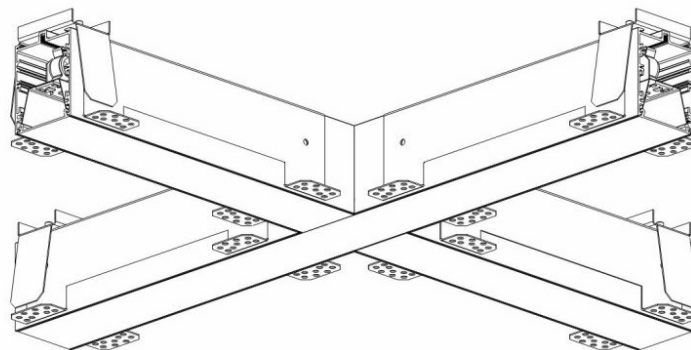


# ELEGANTE SYSTEM LED CONNECTOR X 580X580MM

## 2400LM OPAL IP40 830 (30W)

DETAILED CARD



### TECHNICAL PARAMETERS

<b>Index:</b>	388453
<b>Ingress protection:</b>	IP40/20
<b>Impact resistance:</b>	IK04
<b>Nominal power [W]:</b>	30
<b>Luminous flux [lm]*:</b>	2400
<b>Colour temperature [K]:</b>	3000
<b>SDCM:</b>	≤ 3
<b>Energy efficiency class:</b>	G
<b>Material of the body:</b>	aluminium
<b>Colour of the body:</b>	silver

### CHARACTERISTICS

ELEGANTE LED SYSTEM is a modern office fixture designed for flush mounting. It provides a combination of high light parameters and a modern decorative effect. The optical design has been designed using an iridescent diaphragm with high permeability and uniform light distribution. Available system switches allow for the design of concealed light lines in various configurations (T, X, L). The advantage of the system's roofs is the lampshade without connections to max. length 25m.

There is also a version of individual fittings.

Available 2 power options - to connect as part of:

- 16W i 8W,
- 30W i 15W.

Assembly should be carried out by qualified person.

Please feel free to contact our lighting designers.

### APPLICATION

The luminaire is dedicated for internal use. For use in office and commercial facilities, in particular in representative rooms.

# ELEGANTE SYSTEM LED CONNECTOR X 580X580MM

## 2400LM OPAL IP40 830 (30W)

DETAILED CARD

### TECHNICAL PARAMETERS TABLE

<b>Nominal power [W]:</b>	30	<b>Colour of the body:</b>	silver
<b>Light source:</b>	LED module	<b>Mounting dimensions [mm]:</b>	580/55/580/55
<b>Colour temperature [K]:</b>	3000	<b>Impact resistance:</b>	IK04
<b>Luminous flux [lm]:</b>	2400	<b>Mounting version:</b>	recessed
<b>Rated power of the luminaire [W]:</b>	33.48	<b>Working temperature [°C]:</b>	from -20 to +35
<b>Diffuser type:</b>	OPAL	<b>Accessories included:</b>	diffuser
<b>Supply voltage [V]:</b>	220-240	<b>Through wiring:</b>	3x2.5
<b>Frequency [Hz]:</b>	50 - 60	<b>Net weight [kg]:</b>	2.300
<b>Version:</b>	X connector	<b>Gross weight [kg]:</b>	2.800
<b>Source luminous flux [lm]*:</b>	4608	<b>Index:</b>	388453
<b>Dimensions (H/W/T/S) [mm]:</b>	580/580/65	<b>EAN:</b>	5905963388453
<b>Ingress protection:</b>	IP40/20	<b>Category type:</b>	systems
<b>Luminous efficacy [lm/W]:</b>	71	<b>Product line:</b>	SYSTEM 30W/15W
<b>Energy efficiency class:</b>	G	<b>LED lifespan L80B20 [h]:</b>	73000
<b>Electrical protection class:</b>	I	<b>LED lifespan L90B10 [h]:</b>	36000
<b>Colour rendering index:</b>	>80	<b>Light distribution type:</b>	open space
<b>SDCM:</b>	≤ 3	<b>Kolejność:</b>	D
<b>Power factor:</b>	0.86	<b>ETIM class:</b>	EC000282
<b>LED lifespan L70B50 [h]:</b>	115000	<b>CE certificate:</b>	<a href="#">244/2023</a>
<b>Diffuser material:</b>	PC	<b>Photobiological safety:</b>	Risk Group 1 (no photobiological hazard under normal behavioral limitation)
<b>Diffuser colour:</b>	white	<b>Warranty [years]:</b>	5
<b>Material of the body:</b>	aluminium	<b>Manual:</b>	<a href="#">Download PDF</a>
		<b>Plik LDT:</b>	

# ELEGANTE SYSTEM LED CONNECTOR X 580X580MM 2400LM OPAL IP40 830 (30W)

DETAILED CARD

## ACCESSORIES AVAILABLE

index	Name
81000945	ELEGANTE LED SYSTEM - OPAL diffuser - 1 rm (max 25 rm)
388736	ELEGANTE SYSTEM LED end set
388743	ELEGANTE SYSTEM LED gniazdo 3 polowe
388750	ELEGANTE SYSTEM LED gniazdo 5 polowe
388767	ELEGANTE SYSTEM LED wtyk 3 polowy
388774	ELEGANTE SYSTEM LED wtyk 5 polowy
388729	ELEGANTE SYSTEM LED klosz PC opal co-extrusion+soft fixing part 25m



ELEGANTE SYSTEM LED gniazdo 3 polowe (388743)



ELEGANTE SYSTEM LED gniazdo 5 polowe (388750)



ELEGANTE SYSTEM LED wtyk 3 polowy (388767)



ELEGANTE SYSTEM LED wtyk 5 polowy (388774)



ELEGANTE SYSTEM LED klosz PC opal co-extrusion+soft fixing part 25m (388729)

Card creation date: 03 January 2025

The company reserves the right to make design changes or upgrades in the presented product. Product data sheet does not constitute an offer. \* Parameter tolerance is +/- 10%



This product is a subject to electric and electronic waste equipment regulations (WEEE).



Certificate CE - Nr: 244/2023