

# LUMEDIC 595X595MM SW 6050LM RA80 3000K GLASS/OPAL/PRM LNS IP65 I CL. AW3H W IK09 R 47W

DETAILED CARD



## TECHNICAL PARAMETERS

<b>Index:</b>	520679
<b>Ingress protection:</b>	IP65
<b>Impact resistance:</b>	IK09
<b>Rated power of the luminaire [W]*:</b>	47
<b>Luminous flux [lm]*:</b>	6050
<b>Colour temperature [K]:</b>	3000
<b>Color rendering index (Ra) &gt;:</b>	80
<b>Energy efficiency class:</b>	D
<b>Material of the body:</b>	powder coated steel
<b>Diffuser material:</b>	szyba hartowana

## CHARACTERISTICS

Lumedic is a specialist Cleanroom luminaire designed for clean rooms with increased hygiene and sterility requirements. Its design ensures ease of cleaning and high mechanical and environmental resistance. A robust steel housing with IP65 protection on the room side and IP50 on the technical side ensures complete tightness in a sterile environment, while allowing free air flow above the suspended ceiling. Service access is provided from the technical side (top inspection), allowing maintenance without interfering with the clean room.

The front of the luminaire is made of aluminium and 4 mm thick tempered glass, resistant to impact (IK09 class) and chemicals. The modular shutter system (Glass / Opal / PRM) allows you to select the appropriate optical characteristics depending on the application requirements — from uniform, diffused light to precise directional distribution. The SW R version is designed for installation in reinforced ceilings.

## APPLICATION

- laboratories (microbiological, pharmaceutical, chemical),
- hospitals (operating theatres, intensive care units, diagnostic laboratories),
- food and pharmaceutical industry,
- cleanrooms in electronics and semiconductor manufacturing.

# LUMEDIC 595X595MM SW 6050LM RA80 3000K GLASS/OPAL/PRM LNS IP65 I CL. AW3H W IK09 R 47W

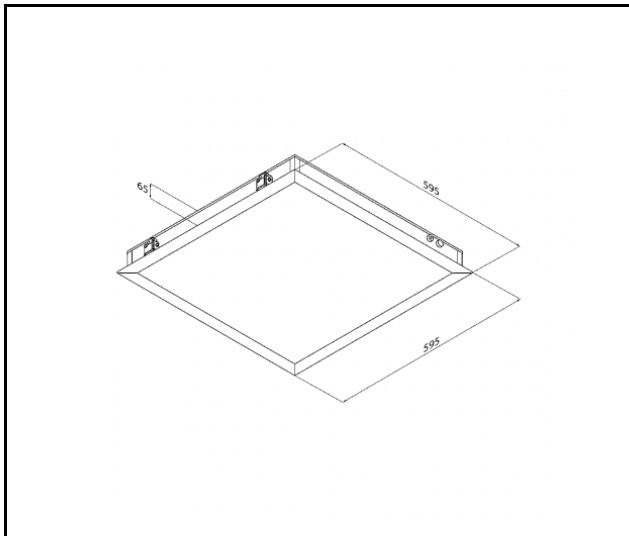
DETAILED CARD

## TECHNICAL PARAMETERS TABLE

<b>Index:</b>	520679	<b>Mounting dimensions [mm]:</b>	585/585
<b>EAN:</b>	5905963520679	<b>Impact resistance:</b>	IK09
<b>Light source:</b>	LED module	<b>Ingress protection:</b>	IP65
<b>Rated power of the luminaire [W]:</b>	47	<b>Mounting version:</b>	recessed
<b>Supply voltage [V]:</b>	220 - 240	<b>Working temperature [°C]:</b>	from -20 to +35
<b>Frequency [Hz]:</b>	0/50/60	<b>Number on the palette [pcs]:</b>	16
<b>Luminous flux [lm]:</b>	6050	<b>Net weight [kg]:</b>	11.600
<b>Luminous efficacy [lm/W]:</b>	129	<b>Charging time [h:min]:</b>	16
<b>Energy efficiency class:</b>	D	<b>Battery life [h:min]:</b>	3
<b>Electrical protection class:</b>	I	<b>Battery:</b>	Li-Ion
<b>Colour temperature [K]:</b>	3000	<b>Battery capacity [mAh]:</b>	5000
<b>Color rendering index (Ra) &gt;:</b>	80	<b>Emergency lighting [h]:</b>	3
<b>Power factor:</b>	0.95	<b>Autotest:</b>	yes
<b>Surge protection [kV]:</b>	1	<b>Operating mode:</b>	yes
<b>Diffuser material:</b>	szyba hartowana	<b>Photobiological safety:</b>	RG0 - exempt (no photobiological hazard)
<b>Diffuser type:</b>	Glass/Opal/PRM	<b>Warranty [years]:</b>	2
<b>Optics:</b>	PRM	<b>CE certificate:</b>	<a href="#">36/2026</a>
<b>Material of the body:</b>	powder coated steel	<b>ENEC Certificate:</b>	
<b>Colour of the body:</b>	biały Ral 9003	<b>Environmental Product Declaration (EPD):</b>	
<b>Ring material:</b>	biały Ral 9003	<b>Manual:</b>	<a href="#">Download PDF</a>
<b>Ring colour:</b>	biały Ral 9003	<b>ISO Certificates:</b>	9001:2015, 14001:2015, 45001:2018, 50001:2018
<b>Dimensions (H/W/T/S) [mm]:</b>	595/595/65		

# LUMEDIC 595X595MM SW 6050LM RA80 3000K GLASS/OPAL/PRM LNS IP65 I CL. AW3H W IK09 R 47W

## DETAILED CARD TECHNICAL PICTURES



Card creation date: 31 March 2026

The company reserves the right to make design changes or upgrades in the presented product. Product data sheet does not constitute an offer. \* Parameter tolerance is +/- 10%



This product is a subject to electric and electronic waste equipment regulations (WEEE).



Certificate CE - Nr: 36/2026