

LUMEDIC 595X595MM SW 12100LM RA80 4000K GLASS/PRM LNS IP65 I CL. AW3H W IK09 R 83W

DETAILED CARD



TECHNICAL PARAMETERS

Index:	520761
Ingress protection:	IP65
Impact resistance:	IK09
Rated power of the luminaire [W]*:	83
Luminous flux [lm]*:	12100
Colour temperature [K]:	4000
Color rendering index (Ra) >:	80
Energy efficiency class:	D
Material of the body:	powder coated steel
Diffuser material:	szyba hartowana

CHARACTERISTICS

Lumedic is a specialist Cleanroom luminaire designed for clean rooms with increased hygiene and sterility requirements. Its design ensures ease of cleaning and high mechanical and environmental resistance. A robust steel housing with IP65 protection on the room side and IP50 on the technical side ensures complete tightness in a sterile environment, while allowing free air flow above the suspended ceiling. Service access is provided from the technical side (top inspection), allowing maintenance without interfering with the clean room.

The front of the luminaire is made of aluminium and 4 mm thick tempered glass, resistant to impact (IK09 class) and chemicals. The modular shutter system (Glass / Opal / PRM) allows you to select the appropriate optical characteristics depending on the application requirements — from uniform, diffused light to precise directional distribution. The SW R version is designed for installation in reinforced ceilings.

APPLICATION

- laboratories (microbiological, pharmaceutical, chemical),
- hospitals (operating theatres, intensive care units, diagnostic laboratories),
- food and pharmaceutical industry,
- cleanrooms in electronics and semiconductor manufacturing.

LUMEDIC 595X595MM SW 12100LM RA80 4000K GLASS/PRM LNS IP65 I CL. AW3H W IK09 R 83W

DETAILED CARD

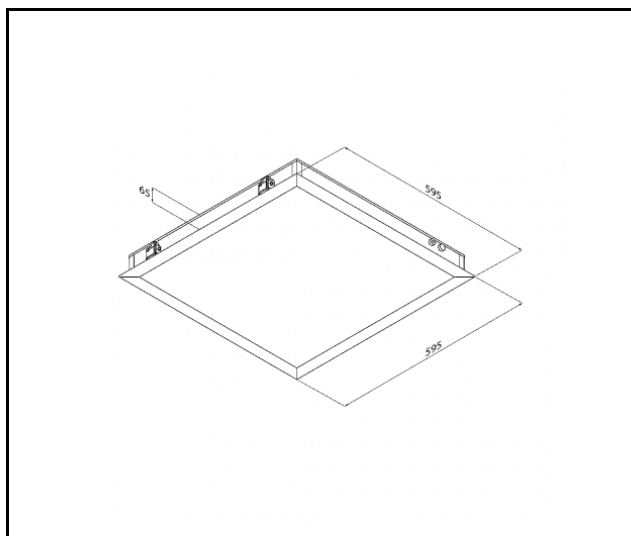
TECHNICAL PARAMETERS TABLE

Index:	520761	Mounting dimensions [mm]:	585/585
EAN:	5905963520761	Impact resistance:	IK09
Light source:	LED module	Ingress protection:	IP65
Rated power of the luminaire [W]:	83	Mounting version:	recessed
Supply voltage [V]:	220 - 240	Working temperature [°C]:	from -20 to +35
Frequency [Hz]:	0/50/60	Number on the palette [pcs]:	16
Luminous flux [lm]:	12100	Net weight [kg]:	11.600
Luminous efficacy [lm/W]:	146	Charging time [h:min]:	16
Energy efficiency class:	D	Battery life [h:min]:	3
Electrical protection class:	I	Battery:	Li-Ion
Colour temperature [K]:	4000	Battery capacity [mAh]:	5000
Color rendering index (Ra) >:	80	Emergency lighting [h]:	3
Power factor:	0.95	Autotest:	yes
Surge protection [kV]:	2	Operating mode:	yes
Diffuser material:	szyba hartowana	Photobiological safety:	RG0 - exempt (no photobiological hazard)
Diffuser type:	Glass/PRM	Warranty [years]:	2
Optics:	PRM	CE certificate:	36/2026
Material of the body:	powder coated steel	ENEC Certificate:	
Colour of the body:	biały Ral 9003	Environmental Product Declaration (EPD):	
Ring material:	biały Ral 9003	Manual:	Download PDF
Ring colour:	biały Ral 9003	ISO Certificates:	9001:2015, 14001:2015, 45001:2018, 50001:2018
Dimensions (H/W/T/S) [mm]:	595/595/65		

LUMEDIC 595X595MM SW 12100LM RA80 4000K GLASS/PRM LNS IP65 I CL. AW3H W IK09 R 83W

DETAILED CARD

TECHNICAL PICTURES



Card creation date: 31 March 2026

The company reserves the right to make design changes or upgrades in the presented product. Product data sheet does not constitute an offer. * Parameter tolerance is +/- 10%



This product is a subject to electric and electronic waste equipment regulations (WEEE).



Certificate CE - Nr: 36/2026



Lena Lighting S.A.
ul. Kórnicka 52, 63-000 Środa Wielkopolska
tel. +48 61 28 60 333 (Pn-Pt, 8-16), e-mail: hello@lenalighting.pl, www.lenalighting.pl