

# BARIS 52 LED Z LUMINAIRE L 3975LM 840 IP20 I CL. PLX BLACK 30W

DETAILED CARD



## TECHNICAL PARAMETERS

<b>Index:</b>	159954
<b>Ingress protection:</b>	IP20
<b>Impact resistance:</b>	IK03
<b>Rated power of the luminaire [W]*:</b>	30
<b>Luminous flux [lm]*:</b>	3975
<b>Colour temperature [K]:</b>	4000
<b>Colour of the body:</b>	black
<b>Diffuser material:</b>	PC
<b>Diffuser type:</b>	OPAL

## CHARACTERISTICS

A suspended lighting lamp of classic proportions and modern design. The lamp body is made from anodised aluminium profile in grey or an aluminium profile painted in white or black (other colours available on request). The optical system in the form of a prismatic diffuser (PRM) or a dedicated, flexible opal shade evenly illuminates the lamp. The modularity and demountability of the lamp allow the replacement of electronic components such as the LED strip, power supply and the replacement of the diffuser by qualified persons. The lamp profile has been adapted to work with IoT smart modules, which will further optimise the level and amount of light it provides. The lamp is equipped with a unique pendant system for easy lamp installation and sling adjustment. All Baris 52 LED Single suspended luminaires include a 1.2m sling with box included and are fitted with a diffuser.

## APPLICATION

Baris 52 LED Single in the shape of an L, X, T create extraordinary lighting configurations to suit the character and shape of the room, making it possible to create different figures and patterns.

# BARIS 52 LED Z LUMINAIRE L 3975LM 840 IP20 I CL. PLX BLACK 30W

DETAILED CARD

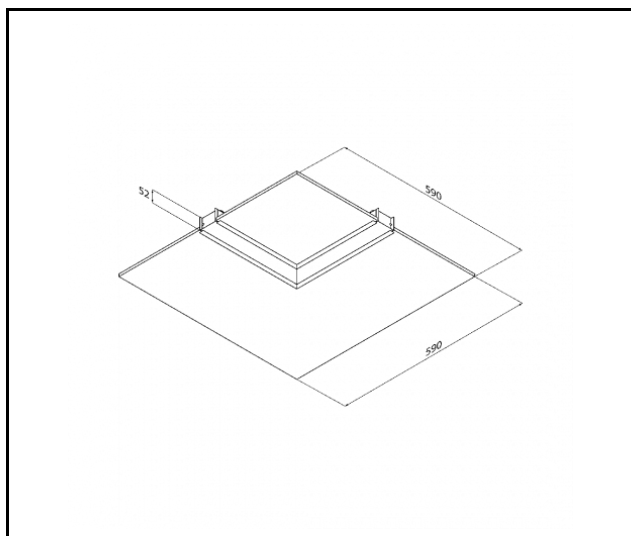
## TECHNICAL PARAMETERS TABLE

Index:	159954	Diffuser type:	OPAL
Rated power of the luminaire [W]:	30	Colour of the body:	black
Luminous flux [lm]:	3975	Dimensions (H/W/T/S) [mm]:	605/605/52
Supply voltage [V]:	220 - 240	Impact resistance:	IK03
Frequency [Hz]:	50 - 60	Ingress protection:	IP20
Luminous efficacy [lm/W]:	139	Mounting version:	suspended
Energy efficiency class:	C	Product line:	L
Electrical protection class:	I	Category of application:	office lighting
Colour temperature [K]:	4000	Warranty [years]:	5
Color rendering index (Ra) >:	80	CE certificate:	<a href="#">33/2026</a>
SDCM:	3	Manual:	<a href="#">Download PDF</a>
LED lifespan L70B50 [h]:	150000	Environmental Product Declaration (EPD):	<a href="#">852/2025</a>
LED lifespan L80B10 [h]:	100000	EAN:	5905963159954
LED lifespan L90B10 [h]:	50000	Working temperature [°C]:	35
Diffuser material:	PC	ISO Certificates:	9001:2015, 14001:2015, 45001:2018, 50001:2018

# BARIS 52 LED Z LUMINAIRE L 3975LM 840 IP20 I CL. PLX BLACK 30W

DETAILED CARD

## TECHNICAL PICTURES



Card creation date: 19 March 2026

The company reserves the right to make design changes or upgrades in the presented product. Product data sheet does not constitute an offer. \* Parameter tolerance is +/- 10%



This product is a subject to electric and electronic waste equipment regulations (WEEE).



Certificate CE - Nr: 33/2026