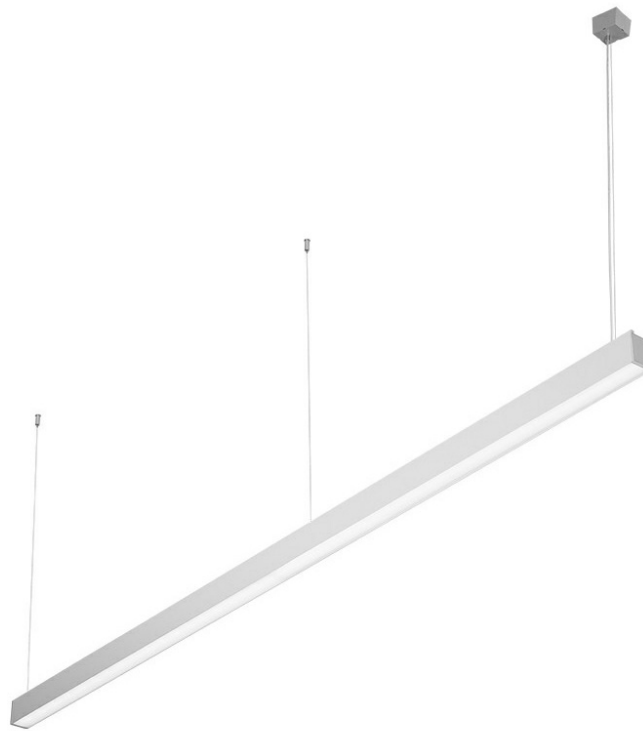


# BARIS 52 LED Z 2263MM 9250LM 840 IP44 I CL. PLX ANODE CO 60W SINGLE

DETAILED CARD



## TECHNICAL PARAMETERS

<b>Ingress protection:</b>	IP44
<b>Impact resistance:</b>	IK06
<b>Rated power of the luminaire [W]*:</b>	60
<b>Luminous flux [lm]*:</b>	9250
<b>Colour temperature [K]:</b>	4000
<b>Colour of the body:</b>	C0 anode
<b>Diffuser material:</b>	PC
<b>Diffuser type:</b>	OPAL
<b>Mounting version:</b>	suspended

## CHARACTERISTICS

Suspended or surface-mounted luminaire with classic proportions and modern design. The housing of the luminaire is made of an anodized aluminum profile in gray or an aluminum profile painted in white or black (other colors available on request). The optical system is in the form of a prismatic diffuser (PRM); a dedicated, flexible opal diffuser evenly illuminating the luminaire or with a louvre that meets the stringent glare requirements UGR <19 covered with a transparent cover. The modularity and dismantling of the luminaire allow for the replacement of electronic components, such as the LED strip, power supply, and replacement of the lampshade by qualified persons. The luminaire profile has been adapted to work with intelligent IoT modules, which will additionally optimize the level and amount of light provided by it, as well as the direct/indirect version that allows some of the light to be directed upwards, illuminating the ceiling. The luminaire is equipped with a unique suspension system that facilitates the installation of the luminaire and adjustment of the suspension. All Baris 52 LED Single suspended luminaires include 1.2m long pendants with a socket in the set and are equipped with a diffuser.

## APPLICATION

The luminaire is intended for indoor use. It is used as the main light source and favors office work that requires concentrated vision. The unique design, the energy-saving LED modules, and the ability to work with external lighting control systems in the DALI standard predestine the luminaire for use in modern office buildings of class A+, with a particular focus on offices, prestigious rooms, conference rooms, passageways, and wherever IP44 protection is required. Baris 52 LED Single is, as the name suggests, a single lighting element with a specific length. To create a line of length up to 6 meters without connecting the profile and up to 25 meters without connecting the lampshade, version BARIS 52 LED.

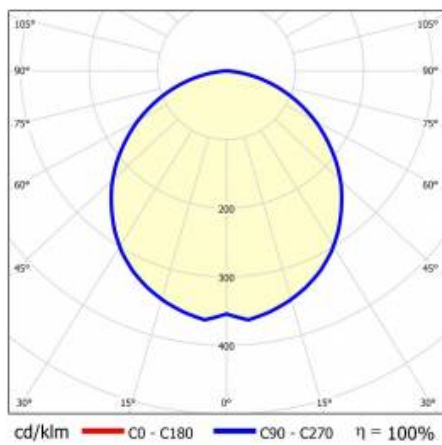
# BARIS 52 LED Z 2263MM 9250LM 840 IP44 I CL. PLX ANODE CO 60W SINGLE

DETAILED CARD

## TECHNICAL PARAMETERS TABLE

Index:	152429	Diffuser type:	OPAL
EAN:	5905963152429	Colour of the body:	CO anode
Rated power of the luminaire [W]:	60	Dimensions (H/W/T/S) [mm]:	2263/69/52
Luminous flux [lm]:	9250	Impact resistance:	IK06
Supply voltage [V]:	220 - 240	Ingress protection:	IP44
Frequency [Hz]:	50 - 60	Mounting version:	suspended
Luminous efficacy [lm/W]:	154	Working temperature [°C]:	35
Energy efficiency class:	C	Category of application:	office lighting
Electrical protection class:	I	Warranty [years]:	5
Colour temperature [K]:	4000	CE certificate:	<a href="#">32/2026</a>
Color rendering index (Ra) >:	80	ENEC Certificate:	<a href="#">PL BBJ/006/2022/M1</a>
SDCM:	3	PZH certificate:	<a href="#">B-BK-60112-0357/2023</a>
LED lifespan L70B50 [h]:	150000	Manual:	<a href="#">Download PDF</a>
LED lifespan L80B10 [h]:	100000	Environmental Product Declaration (EPD):	<a href="#">852/2025</a>
LED lifespan L90B10 [h]:	50000	ISO Certificates:	9001:2015, 14001:2015, 45001:2018, 50001:2018
Diffuser material:	PC		

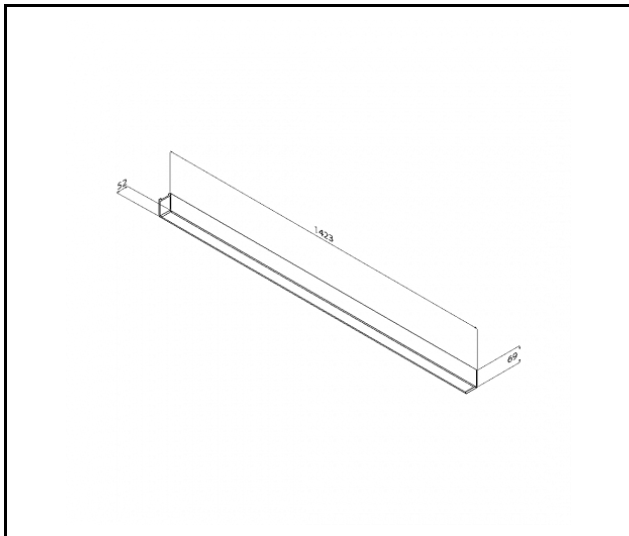
## LIGHT CURVES



# BARIS 52 LED Z 2263MM 9250LM 840 IP44 I CL. PLX ANODE CO 60W SINGLE

DETAILED CARD

## TECHNICAL PICTURES



Card creation date: 19 March 2026

The company reserves the right to make design changes or upgrades in the presented product. Product data sheet does not constitute an offer. \* Parameter tolerance is +/- 10%



This product is a subject to electric and electronic waste equipment regulations (WEEE).



Certificate CE - Nr: 32/2026