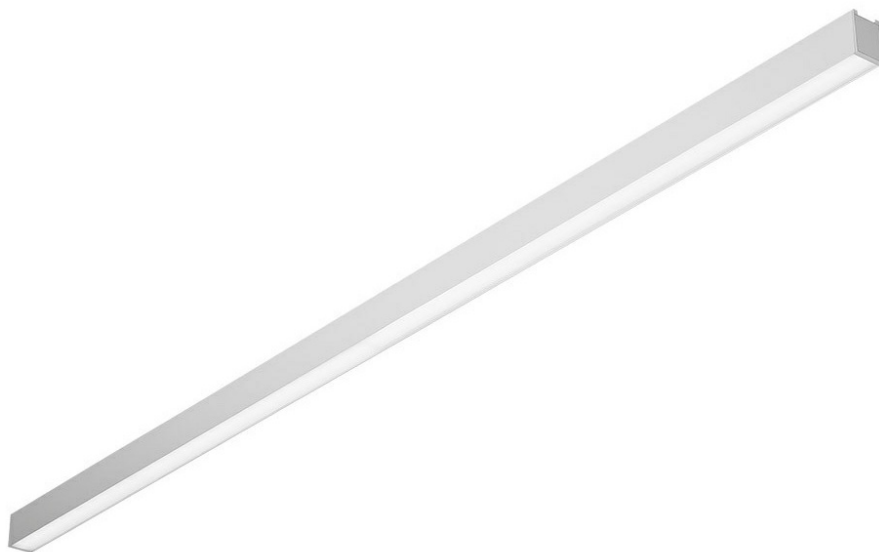


BARIS 52 LED N 2263MM 6550LM 840 IP44 I CL. DALI PLX ANODE CO 42W SINGLE

DETAILED CARD



TECHNICAL PARAMETERS

Ingress protection:	IP44
Impact resistance:	IK06
Rated power of the luminaire [W]*:	42
Luminous flux [lm]*:	6550
Colour temperature [K]:	4000
Colour of the body:	C0 anode
Diffuser material:	PC
Diffuser type:	OPAL
Mounting version:	surface

CHARACTERISTICS

Suspended or surface-mounted luminaire with classic proportions and modern design. The housing of the luminaire is made of an anodized aluminum profile in gray or an aluminum profile painted in white or black (other colors available on request). The optical system is in the form of a prismatic diffuser (PRM); a dedicated, flexible opal diffuser evenly illuminating the luminaire or with a louvre that meets the stringent glare requirements UGR <19 covered with a transparent cover. The modularity and dismantling of the luminaire allow for the replacement of electronic components, such as the LED strip, power supply, and replacement of the lampshade by qualified persons. The luminaire profile has been adapted to work with intelligent IoT modules, which will additionally optimize the level and amount of light provided by it, as well as the direct/indirect version that allows some of the light to be directed upwards, illuminating the ceiling. The luminaire is equipped with a unique suspension system that facilitates the installation of the luminaire and adjustment of the suspension. All Baris 52 LED Single suspended luminaires include 1.2m long pendants with a socket in the set and are equipped with a diffuser.

APPLICATION

The luminaire is intended for indoor use. It is used as the main light source and favors office work that requires concentrated vision. The unique design, the energy-saving LED modules, and the ability to work with external lighting control systems in the DALI standard predestine the luminaire for use in modern office buildings of class A+, with a particular focus on offices, prestigious rooms, conference rooms, passageways, and wherever IP44 protection is required. Baris 52 LED Single is, as the name suggests, a single lighting element with a specific length. To create a line of length up to 6 meters without connecting the profile and up to 25 meters without connecting the lampshade, version BARIS 52 LED.

BARIS 52 LED N 2263MM 6550LM 840 IP44 I CL. DALI PLX ANODE CO 42W SINGLE

DETAILED CARD

TECHNICAL PARAMETERS TABLE

Index:	152214	Colour of the body:	C0 anode
EAN:	5905963152214	Dimensions (H/W/T/S) [mm]:	2263/69/52
Rated power of the luminaire [W]:	42	Impact resistance:	IK06
Luminous flux [lm]:	6550	Ingress protection:	IP44
Supply voltage [V]:	220 - 240	Mounting version:	surface
Frequency [Hz]:	50 - 60	Working temperature [°C]:	35
Luminous efficacy [lm/W]:	156	DIMM DALI:	yes
Energy efficiency class:	C	Category of application:	office lighting
Electrical protection class:	I	Warranty [years]:	5
Colour temperature [K]:	4000	CE certificate:	31/2026
Color rendering index (Ra) >:	80	ENEC Certificate:	PL BBJ/006/2022/M1
SDCM:	3	PZH certificate:	B-BK-60112-0357/2023
LED lifespan L70B50 [h]:	150000	Manual:	Download PDF
LED lifespan L80B10 [h]:	100000	Environmental Product Declaration (EPD):	852/2025
LED lifespan L90B10 [h]:	50000	ISO Certificates:	9001:2015, 14001:2015, 45001:2018, 50001:2018
Diffuser material:	PC	Plik LDT:	Download
Diffuser type:	OPAL		

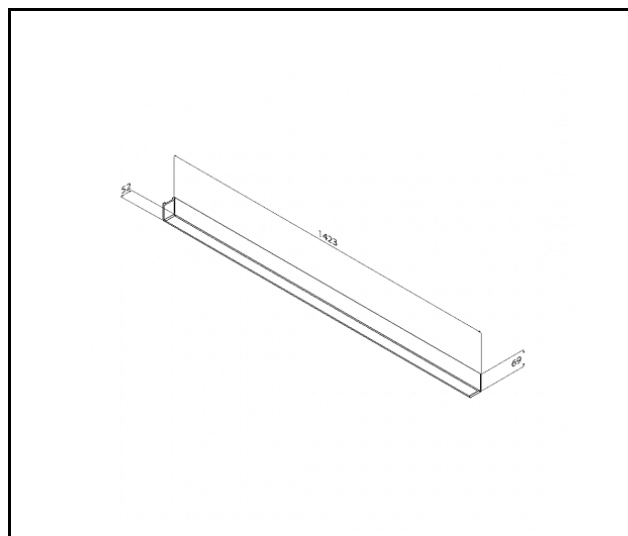
LIGHT CURVES



BARIS 52 LED N 2263MM 6550LM 840 IP44 I CL. DALI PLX ANODE CO 42W SINGLE

DETAILED CARD

TECHNICAL PICTURES



Card creation date: 19 March 2026

The company reserves the right to make design changes or upgrades in the presented product. Product data sheet does not constitute an offer. * Parameter tolerance is +/- 10%



This product is a subject to electric and electronic waste equipment regulations (WEEE).



Certificate CE - Nr: 31/2026



Lena Lighting S.A.
ul. Kórnicka 52, 63-000 Środa Wielkopolska
tel. +48 61 28 60 333 (Pn-Pt, 8-16), e-mail: hello@lenalighting.pl, www.lenalighting.pl