

BARIS 52 LED Z 3383MM 7150LM 840 IP44 I CL. PLX ANODE CO 54W NO DIFFUSER (18W/M)

DETAILED CARD



TECHNICAL PARAMETERS

| | |
|--------------------------|--------|
| Index: | 153549 |
| Luminaire power [W/m]: | 18 |
| Luminous flux [lm]*: | 7150 |
| Colour temperature [K]: | 4000 |
| Ingress protection: | IP44 |
| Energy efficiency class: | D |
| Colour of the body: | grey |
| Diffuser material: | PC |

CHARACTERISTICS

A suspended or surface-mounted luminaire with classic proportions and a modern design. The lamp's design allows for the creation of lines up to 6 meters long without profile joints and up to 25 meters without shade joints. Straight connectors and luminous L-, T-, X-, and V-shaped bends allow for the creation of virtually unlimited straight lines, shapes, and patterns. The lamp body is made of an anodized gray aluminum profile or an aluminum profile painted white or black (other colors available upon request). The optical system consists of a prismatic shade (PRM) or a dedicated, flexible opal diffuser that evenly illuminates the lamp. The lamp's modularity and disassembly allow for the replacement of electronic components, such as the LED strip and power supply, and the lampshade itself. The lamp's profile has been adapted for use with intelligent IOT modules, further optimizing the level and quantity of light delivered. A Direct/Indirect version is also available, allowing for some of the light to be directed upwards, illuminating the ceiling. The pendant lamp is not equipped with suspension system components. Due to the extensive customization options, the number of power supply and 1.2m support suspensions, as well as surface-mounted boxes, can be selected from the accessories, depending on your specific needs. **Custom color versions, CRI90, with IoT modules and sensors, DALI versions, and emergency modules are available upon request. Standard colors include anodized gray, black, and white.**

APPLICATION

This lamp is designed for indoor use. It can be used as a main light source and supports office work requiring visual focus. Its unique design, energy-efficient LED modules, and compatibility with external DALI lighting control systems make it suitable for use in modern Class A+ office buildings, with particular emphasis on representative rooms, conference rooms, passageways, and anywhere else requiring IP44 ingress protection. For surface-mounted and pendant BARIS 52 LED lamps (OPAL, PRM), a separate shade (available as an accessory) with the appropriate length, representing the sum of all lines, must be ordered separately. The shade, available in 0.5m increments, is cut by the contractor and has a maximum length of 25m.

BARIS 52 LED Z 3383MM 7150LM 840 IP44 I CL. PLX ANODE CO 54W NO DIFFUSER (18W/M)

DETAILED CARD

TECHNICAL PARAMETERS TABLE

| | | | |
|-----------------------------------|---------------|--|---|
| Index: | 153549 | Diffuser material: | PC |
| EAN: | 5905963153549 | Diffuser type: | OPAL |
| Rated power of the luminaire [W]: | 54 | Colour of the body: | grey |
| Luminous flux [lm]: | 7150 | Dimensions (H/W/T/S) [mm]: | 3383/69/52 |
| Supply voltage [V]: | 220-240 | Ingress protection: | IP44 |
| Frequency [Hz]: | 50 - 60 | Impact resistance: | IK03 |
| Luminous efficacy [lm/W]: | 132 | Working temperature [°C]: | 35 |
| Energy efficiency class: | D | CE certificate: | 08/2026 |
| Electrical protection class: | I | ENEC Certificate: | PL BBJ/006/2022/M1 |
| Colour temperature [K]: | 4000 | PZH certificate: | B-BK-60112-0357/2023 |
| Color rendering index (Ra) >: | 80 | Manual: | Download PDF |
| SDCM: | 3 | Environmental Product Declaration (EPD): | 852/2025 |
| LED lifespan L70B50 [h]: | 150000 | Category of application: | office lighting |
| LED lifespan L80B10 [h]: | 100000 | ISO Certificates: | 9001:2015, 14001:2015, 45001:2018, 50001:2018 |
| LED lifespan L90B10 [h]: | 50000 | | |

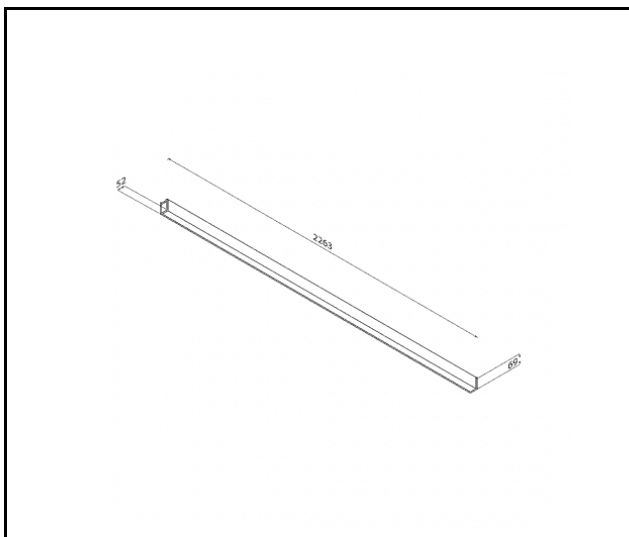
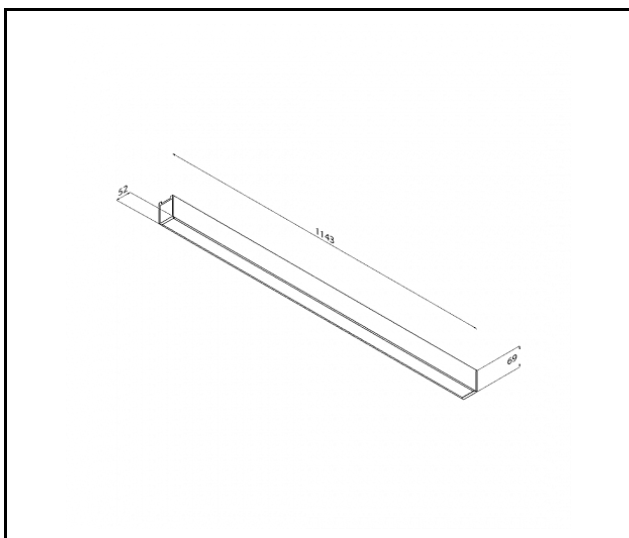
LIGHT CURVES



BARIS 52 LED Z 3383MM 7150LM 840 IP44 I CL. PLX ANODE CO 54W NO DIFFUSER (18W/M)

DETAILED CARD

TECHNICAL PICTURES



BARIS 52 LED Z 3383MM 7150LM 840 IP44 I CL. PLX ANODE CO 54W NO DIFFUSER (18W/M)

DETAILED CARD

ACCESSORIES AVAILABLE

| index | Name |
|--------|---|
| 318023 | Baris 52 - linear connector. straight |
| 318030 | Baris 52 - white power suspension |
| 318047 | Baris 52 - black power suspension |
| 318054 | Baris 52 - anodized power suspension |
| 318061 | Baris 52 - Dali white power suspension |
| 318078 | Baris 52 - Dali black power suspension |
| 318085 | Dali anodized power suspension |
| 318092 | Baris 52 – suspension |
| 465000 | Baris 52 diffuser PLX length of 1500mm (1.5m) |
| 465017 | Baris 52 diffuser PLX length of 2000mm (2.0m) |
| 465024 | Baris 52 diffuser PLX length of 2500mm (2.5m) |
| 465031 | Baris 52 diffuser PLX length of 3000mm (3.0m) |
| 465048 | Baris 52 diffuser PLX length of 3500mm (3.5m) |
| 465055 | Baris 52 diffuser PLX length of 4000mm (4.0m) |
| 465062 | Baris 52 diffuser PLX length of 4500mm (4.5m) |
| 465079 | Baris 52 diffuser PLX length of 5000mm (5.0m) |
| 465086 | Baris 52 diffuser PLX length of 5500mm (5.5m) |
| 465093 | Baris 52 diffuser PLX length of 6000mm (6.0m) |
| 465109 | Baris 52 diffuser PLX length of 6500mm (6.5m) |
| 465116 | Baris 52 diffuser PLX length of 7000mm (7.0m) |
| 465123 | Baris 52 diffuser PLX length of 7500mm (7.5m) |
| 465130 | Baris 52 diffuser PLX length of 8000mm (8.0m) |
| 465147 | Baris 52 diffuser PLX length of 8500mm (8.5m) |
| 465154 | Baris 52 diffuser PLX length of 9000mm (9.0m) |
| 465161 | Baris 52 diffuser PLX length of 9500mm (9.5m) |
| 465178 | Baris 52 diffuser PLX length of 10000mm (10.0m) |
| 465185 | Baris 52 diffuser PLX length of 10500mm (10.5m) |
| 465192 | Baris 52 diffuser PLX length of 11000mm (11.0m) |
| 465208 | Baris 52 diffuser PLX length of 11500mm (11.5m) |
| 465215 | Baris 52 diffuser PLX length of 12000mm (12.0m) |
| 465222 | Baris 52 diffuser PLX length of 12500mm (12.5m) |
| 465239 | Baris 52 diffuser PLX length of 13000mm (13.0m) |
| 465246 | Baris 52 diffuser PLX length of 13500mm (13.5m) |
| 465253 | Baris 52 diffuser PLX length of 14000mm (14.0m) |
| 465260 | Baris 52 diffuser PLX length of 14500mm (14.5m) |

BARIS 52 LED Z 3383MM 7150LM 840 IP44 I CL. PLX ANODE CO 54W NO DIFFUSER (18W/M)

DETAILED CARD

| | |
|--------|---|
| 465277 | Baris 52 diffuser PLX length of 15000mm (15.0m) |
| 465284 | Baris 52 diffuser PLX length of 15500mm (15.5m) |
| 465291 | Baris 52 diffuser PLX length of 16000mm (16.0m) |
| 465307 | Baris 52 diffuser PLX length of 16500mm (16.5m) |
| 465314 | Baris 52 diffuser PLX length of 17000mm (17.0m) |
| 465321 | Baris 52 diffuser PLX length of 17500mm (17.5m) |
| 465338 | Baris 52 diffuser PLX length of 18000mm (18.0m) |
| 465345 | Baris 52 diffuser PLX length of 18500mm (18.5m) |
| 465352 | Baris 52 diffuser PLX length of 19000mm (19.0m) |
| 465369 | Baris 52 diffuser PLX length of 19500mm (19.5m) |
| 465376 | Baris 52 diffuser PLX length of 20000mm (20.0m) |
| 465383 | Baris 52 diffuser PLX length of 20500mm (20.5m) |
| 465390 | Baris 52 diffuser PLX length of 21000mm (21.0m) |
| 465406 | Baris 52 diffuser PLX length of 21500mm (21.5m) |
| 465413 | Baris 52 diffuser PLX length of 22000mm (22.0m) |
| 465420 | Baris 52 diffuser PLX length of 22500mm (22.5m) |
| 465437 | Baris 52 diffuser PLX length of 23000mm (23.0m) |
| 465444 | Baris 52 diffuser PLX length of 23500mm (23.5m) |
| 465451 | Baris 52 diffuser PLX length of 24000mm (24.0m) |
| 465468 | Baris 52 diffuser PLX length of 24500mm (24.5m) |
| 465475 | Baris 52 diffuser PLX length of 25000mm (25.0m) |
| 465482 | Baris 52 diffuser UGR length of 1500mm (1.5m) |
| 465499 | Baris 52 diffuser UGR length of 2000mm (2.0m) |
| 465505 | Baris 52 diffuser UGR length of 2500mm (2.5m) |
| 465512 | Baris 52 diffuser UGR length of 3000mm (3.0m) |
| 465529 | Baris 52 diffuser UGR length of 3500mm (3.5m) |
| 465536 | Baris 52 diffuser UGR length of 4000mm (4.0m) |
| 465543 | Baris 52 diffuser UGR length of 4500mm (4.5m) |
| 465550 | Baris 52 diffuser UGR length of 5000mm (5.0m) |
| 465567 | Baris 52 diffuser UGR length of 5500mm (5.5m) |
| 465574 | Baris 52 diffuser UGR length of 6000mm (6.0m) |
| 465581 | Baris 52 diffuser UGR length of 6500mm (6.5m) |
| 465598 | Baris 52 diffuser UGR length of 7000mm (7.0m) |
| 465604 | Baris 52 diffuser UGR length of 7500mm (7.5m) |
| 465611 | Baris 52 diffuser UGR length of 8000mm (8.0m) |
| 465628 | Baris 52 diffuser UGR length of 8500mm (8.5m) |
| 465635 | Baris 52 diffuser UGR length of 9000mm (9.0m) |
| 465642 | Baris 52 diffuser UGR length of 9500mm (9.5m) |
| 465659 | Baris 52 diffuser UGR length of 10000mm (10.0m) |

BARIS 52 LED Z 3383MM 7150LM 840 IP44 I CL. PLX ANODE CO 54W NO DIFFUSER (18W/M)

DETAILED CARD

| | |
|--------|---|
| 465666 | Baris 52 diffuser UGR length of 10500mm (10.5m) |
| 465673 | Baris 52 diffuser UGR length of 11000mm (11.0m) |
| 465680 | Baris 52 diffuser UGR length of 11500mm (11.5m) |
| 465697 | Baris 52 diffuser UGR length of 12000mm (12.0m) |
| 465703 | Baris 52 diffuser UGR length of 12500mm (12.5m) |
| 465710 | Baris 52 diffuser UGR length of 13000mm (13.0m) |
| 465727 | Baris 52 diffuser UGR length of 13500mm (13.5m) |
| 465734 | Baris 52 diffuser UGR length of 14000mm (14.0m) |
| 465741 | Baris 52 diffuser UGR length of 14500mm (14.5m) |
| 465758 | Baris 52 diffuser UGR length of 15000mm (15.0m) |
| 465765 | Baris 52 diffuser UGR length of 15500mm (15.5m) |
| 465772 | Baris 52 diffuser UGR length of 16000mm (16.0m) |
| 465789 | Baris 52 diffuser UGR length of 16500mm (16.5m) |
| 465796 | Baris 52 diffuser UGR length of 17000mm (17.0m) |
| 465802 | Baris 52 diffuser UGR length of 17500mm (17.5m) |
| 465819 | Baris 52 diffuser UGR length of 18000mm (18.0m) |
| 465826 | Baris 52 diffuser UGR length of 18500mm (18.5m) |
| 465833 | Baris 52 diffuser UGR length of 19000mm (19.0m) |
| 465840 | Baris 52 diffuser UGR length of 19500mm (19.5m) |
| 465857 | Baris 52 diffuser UGR length of 20000mm (20.0m) |
| 465864 | Baris 52 diffuser UGR length of 20500mm (20.5m) |
| 465871 | Baris 52 diffuser UGR length of 21000mm (21.0m) |
| 465888 | Baris 52 diffuser UGR length of 21500mm (21.5m) |
| 465895 | Baris 52 diffuser UGR length of 22000mm (22.0m) |
| 465901 | Baris 52 diffuser UGR length of 22500mm (22.5m) |
| 465918 | Baris 52 diffuser UGR length of 23000mm (23.0m) |
| 465925 | Baris 52 diffuser UGR length of 23500mm (23.5m) |
| 465932 | Baris 52 diffuser UGR length of 24000mm (24.0m) |
| 465949 | Baris 52 diffuser UGR length of 24500mm (24.5m) |
| 465956 | Baris 52 diffuser UGR length of 25000mm (25.0m) |
| 465963 | Baris 52 diffuser PRM length of 1500mm (1.5m) |
| 465970 | Baris 52 diffuser PRM length of 2000mm (2.0m) |
| 465987 | Baris 52 diffuser PRM length of 2500mm (2.5m) |
| 465994 | Baris 52 diffuser PRM length of 3000mm (3.0m) |
| 466007 | Baris 52 diffuser PRM length of 3500mm (3.5m) |
| 466014 | Baris 52 diffuser PRM length of 4000mm (4.0m) |
| 466021 | Baris 52 diffuser PRM length of 4500mm (4.5m) |
| 466038 | Baris 52 diffuser PRM length of 5000mm (5.0m) |
| 466045 | Baris 52 diffuser PRM length of 5500mm (5.5m) |

BARIS 52 LED Z 3383MM 7150LM 840 IP44 I CL. PLX ANODE CO 54W NO DIFFUSER (18W/M)

DETAILED CARD

| | |
|--------|---|
| 466052 | Baris 52 diffuser PRM length of 6000mm (6.0m) |
| 466069 | Baris 52 diffuser PRM length of 6500mm (6.5m) |
| 466076 | Baris 52 diffuser PRM length of 7000mm (7.0m) |
| 466083 | Baris 52 diffuser PRM length of 7500mm (7.5m) |
| 466090 | Baris 52 diffuser PRM length of 8000mm (8.0m) |
| 466106 | Baris 52 diffuser PRM length of 8500mm (8.5m) |
| 466113 | Baris 52 diffuser PRM length of 9000mm (9.0m) |
| 466120 | Baris 52 diffuser PRM length of 9500mm (9.5m) |
| 466137 | Baris 52 diffuser PRM length of 10000mm (10.0m) |
| 466144 | Baris 52 diffuser PRM length of 10500mm (10.5m) |
| 466151 | Baris 52 diffuser PRM length of 11000mm (11.0m) |
| 466168 | Baris 52 diffuser PRM length of 11500mm (11.5m) |
| 466175 | Baris 52 diffuser PRM length of 12000mm (12.0m) |
| 466182 | Baris 52 diffuser PRM length of 12500mm (12.5m) |
| 466199 | Baris 52 diffuser PRM length of 13000mm (13.0m) |
| 466205 | Baris 52 diffuser PRM length of 13500mm (13.5m) |
| 466212 | Baris 52 diffuser PRM length of 14000mm (14.0m) |
| 466229 | Baris 52 diffuser PRM length of 14500mm (14.5m) |
| 466236 | Baris 52 diffuser PRM length of 15000mm (15.0m) |
| 466243 | Baris 52 diffuser PRM length of 15500mm (15.5m) |
| 466250 | Baris 52 diffuser PRM length of 16000mm (16.0m) |
| 466267 | Baris 52 diffuser PRM length of 16500mm (16.5m) |
| 466274 | Baris 52 diffuser PRM length of 17000mm (17.0m) |
| 466281 | Baris 52 diffuser PRM length of 17500mm (17.5m) |
| 466298 | Baris 52 diffuser PRM length of 18000mm (18.0m) |
| 466304 | Baris 52 diffuser PRM length of 18500mm (18.5m) |
| 466311 | Baris 52 diffuser PRM length of 19000mm (19.0m) |
| 466328 | Baris 52 diffuser PRM length of 19500mm (19.5m) |
| 466335 | Baris 52 diffuser PRM length of 20000mm (20.0m) |
| 466342 | Baris 52 diffuser PRM length of 20500mm (20.5m) |
| 466359 | Baris 52 diffuser PRM length of 21000mm (21.0m) |
| 466366 | Baris 52 diffuser PRM length of 21500mm (21.5m) |
| 466373 | Baris 52 diffuser PRM length of 22000mm (22.0m) |
| 466380 | Baris 52 diffuser PRM length of 22500mm (22.5m) |
| 466397 | Baris 52 diffuser PRM length of 23000mm (23.0m) |
| 466403 | Baris 52 diffuser PRM length of 23500mm (23.5m) |
| 466410 | Baris 52 diffuser PRM length of 24000mm (24.0m) |
| 466427 | Baris 52 diffuser PRM length of 24500mm (24.5m) |
| 466434 | Baris 52 diffuser PRM length of 25000mm (25.0m) |

BARIS 52 LED Z 3383MM 7150LM 840 IP44 I CL. PLX ANODE CO 54W NO DIFFUSER (18W/M)

DETAILED CARD

673979

Baris 52 - DALI linear connector

442629

Baris 52 - Touch DIM linear connector



Baris 52 - linear connector.
straight (318023)



Baris 52 - Dali black power
suspension (318078)

Card creation date: 19 March 2026

The company reserves the right to make design changes or upgrades in the presented product. Product data sheet does not constitute an offer. * Parameter tolerance is +/- 10%



This product is a subject to electric and electronic waste equipment regulations (WEEE).



Certificate CE - Nr: 08/2026