

# LUNGO II TRACK 1950LM 40° II CL. IP20 WHITE 940 (18W)

DETAILED CARD



## TECHNICAL PARAMETERS

<b>Index:</b>	703454
<b>Rated power of the luminaire [W]*:</b>	18
<b>Luminous flux [lm]*:</b>	1950
<b>Colour temperature [K]:</b>	4000
<b>Color rendering index (Ra) &gt;:</b>	90
<b>Beam angle [°]:</b>	40
<b>Material of the body:</b>	aluminium
<b>Colour of the body:</b>	white
<b>Ring colour:</b>	white
<b>Dimensions (H/W/T/S) [mm]:</b>	fi=60 L=170

## CHARACTERISTICS

The Lungo II LED Track luminaire is equipped with an integrated, durable and energy-efficient LED module that provides a luminous flux of up to 1330 lm, depending on the selected version. The user can choose one of three colour temperatures: 2700 K, 3000 K or 4000 K, as well as two colour rendering index variants – Ra 80 or Ra 90, which allows the light quality to be adjusted to the nature of the space. The luminaire offers three light distribution angles: 20°, 40° and 70°, making it suitable for both accent and general lighting. The body is made of a powder-coated aluminium housing, available in white, black, grey or black with a gold interior. The IP20 protection rating allows the luminaire to be used indoors, while the track version is fully compatible with 3-phase busbar systems, ensuring flexibility in installation and lighting configuration.

## APPLICATION

Luminaire is used in spaces such as:

- corridors and passageways in office and institutional buildings
- entrance areas and lobbies
- staircases
- reception areas

# LUNGO II TRACK 1950LM 40° II CL. IP20 WHITE 940 (18W)

DETAILED CARD

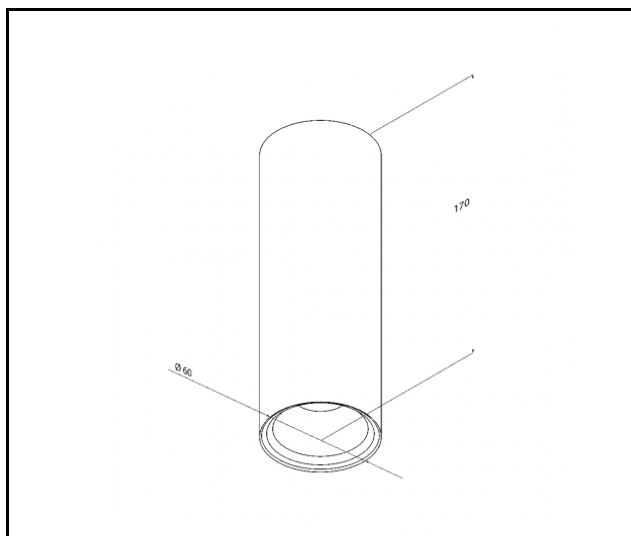
## TECHNICAL PARAMETERS TABLE

<b>Index:</b>	703454	<b>Optics material:</b>	aluminium
<b>EAN:</b>	5905963703454	<b>Material of the body:</b>	aluminium
<b>Category type:</b>	decorative fixtures	<b>Colour of the body:</b>	white
<b>Category of application:</b>	architectural, office lighting, commercial facilities	<b>Ring material:</b>	aluminium
<b>Light source:</b>	COB	<b>Ring colour:</b>	white
<b>Rated power of the luminaire [W]:</b>	18	<b>Dimensions (H/W/T/S) [mm]:</b>	fi=60 L=170
<b>Luminous flux [lm]:</b>	1950	<b>Mounting dimensions [mm]:</b>	L= 40mm fi6mm
<b>Supply voltage [V]:</b>	220-240	<b>Ingress protection:</b>	IP20
<b>Frequency [Hz]:</b>	0/50/60	<b>Mounting version:</b>	track
<b>Luminous efficacy [lm/W]:</b>	108	<b>Dimensions of single box [mm]:</b>	260/130/65
<b>Energy efficiency class:</b>	E	<b>Number on the palette [pcs]:</b>	480
<b>Electrical protection class:</b>	II	<b>Net weight [kg]:</b>	0.515
<b>Colour temperature [K]:</b>	4000	<b>Gross weight [kg]:</b>	0.585
<b>Color rendering index (Ra) &gt;:</b>	90	<b>Photobiological safety:</b>	Risk Group 1 (no photobiological hazard under normal behavioral limitation)
<b>LED lifespan L90B10 [h]:</b>	50000	<b>Warranty [years]:</b>	5
<b>Beam angle [°]:</b>	40	<b>CE certificate:</b>	<a href="#">01/2026</a>
<b>Exchangeable source:</b>	yes	<b>Manual:</b>	<a href="#">Download PDF</a>
<b>Optics:</b>	reflector	<b>Plik LDT:</b>	<a href="#">Download</a>

# LUNGO II TRACK 1950LM 40° II CL. IP20 WHITE 940 (18W)

DETAILED CARD

## TECHNICAL PICTURES



Card creation date: 05 January 2026

The company reserves the right to make design changes or upgrades in the presented product. Product data sheet does not constitute an offer. \* Parameter tolerance is +/- 10%



This product is a subject to electric and electronic waste equipment regulations (WEEE).



Certificate CE - Nr: 01/2026