

LUNGO II TRACK 1400LM 70° II CL. IP20 GREY 927 DALI (12W)

DETAILED CARD



TECHNICAL PARAMETERS

| | |
|---|-------------|
| Index: | 742736 |
| Rated power of the luminaire [W]*: | 12 |
| Luminous flux [lm]*: | 1400 |
| Colour temperature [K]: | 2700 |
| Color rendering index (Ra) >: | 90 |
| Beam angle [°]: | 70 |
| Material of the body: | aluminium |
| Colour of the body: | grey |
| Ring colour: | grey |
| Dimensions (H/W/T/S) [mm]: | fi=60 L=170 |

CHARACTERISTICS

The Lungo II LED Track luminaire is equipped with an integrated, durable and energy-efficient LED module that provides a luminous flux of up to 1330 lm, depending on the selected version. The user can choose one of three colour temperatures: 2700 K, 3000 K or 4000 K, as well as two colour rendering index variants – Ra 80 or Ra 90, which allows the light quality to be adjusted to the nature of the space. The luminaire offers three light distribution angles: 20°, 40° and 70°, making it suitable for both accent and general lighting. The body is made of a powder-coated aluminium housing, available in white, black, grey or black with a gold interior. The IP20 protection rating allows the luminaire to be used indoors, while the track version is fully compatible with 3-phase busbar systems, ensuring flexibility in installation and lighting configuration.

APPLICATION

Luminaire is used in spaces such as:

- corridors and passageways in office and institutional buildings
- entrance areas and lobbies
- staircases
- reception areas

LUNGO II TRACK 1400LM 70° II CL. IP20 GREY 927 DALI (12W)

DETAILED CARD

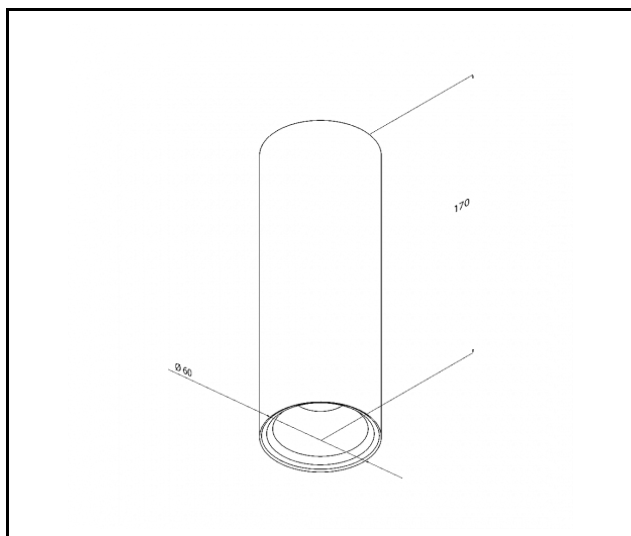
TECHNICAL PARAMETERS TABLE

| | | | |
|--|---|---------------------------------------|---|
| Index: | 742736 | Material of the body: | aluminium |
| EAN: | 5905963742736 | Colour of the body: | grey |
| Category type: | decorative fixtures | Ring material: | aluminium |
| Category of application: | architectural, office lighting, commercial facilities | Ring colour: | grey |
| Light source: | COB | Dimensions (H/W/T/S) [mm]: | fi=60 L=170 |
| Rated power of the luminaire [W]: | 12 | Mounting dimensions [mm]: | L= 40mm fi6mm |
| Luminous flux [lm]: | 1400 | Ingress protection: | IP20 |
| Supply voltage [V]: | 220-240 | Mounting version: | track |
| Frequency [Hz]: | 0/50/60 | DIMM DALI: | yes |
| Luminous efficacy [lm/W]: | 117 | Dimensions of single box [mm]: | 260/130/65 |
| Energy efficiency class: | D | Number on the palette [pcs]: | 480 |
| Electrical protection class: | II | Net weight [kg]: | 0.515 |
| Colour temperature [K]: | 2700 | Gross weight [kg]: | 0.585 |
| Color rendering index (Ra) >: | 90 | Photobiological safety: | Risk Group 1 (no photobiological hazard under normal behavioral limitation) |
| LED lifespan L90B10 [h]: | 50000 | Warranty [years]: | 5 |
| Beam angle [°]: | 70 | CE certificate: | 01/2026 |
| Exchangeable source: | yes | Manual: | Download PDF |
| Optics: | reflector | Plik LDT: | Download |
| Optics material: | aluminium | | |

LUNGO II TRACK 1400LM 70° II CL. IP20 GREY 927 DALI (12W)

DETAILED CARD

TECHNICAL PICTURES



Card creation date: 05 January 2026

The company reserves the right to make design changes or upgrades in the presented product. Product data sheet does not constitute an offer. * Parameter tolerance is +/- 10%



This product is a subject to electric and electronic waste equipment regulations (WEEE).



Certificate CE - Nr: 01/2026