

LUNGO II TRACK 1550LM 70° II CL. IP20 BLACK/GOLD 830 DALI (12W)

DETAILED CARD



TECHNICAL PARAMETERS

Index:	780684
Rated power of the luminaire [W]*:	12
Luminous flux [lm]*:	1550
Colour temperature [K]:	3000
Color rendering index (Ra) >:	80
Beam angle [°]:	70
Material of the body:	aluminium
Colour of the body:	black
Ring colour:	gold
Dimensions (H/W/T/S) [mm]:	fi=60 L=170

CHARACTERISTICS

The Lungo II LED Track luminaire is equipped with an integrated, durable and energy-efficient LED module that provides a luminous flux of up to 1330 lm, depending on the selected version. The user can choose one of three colour temperatures: 2700 K, 3000 K or 4000 K, as well as two colour rendering index variants – Ra 80 or Ra 90, which allows the light quality to be adjusted to the nature of the space. The luminaire offers three light distribution angles: 20°, 40° and 70°, making it suitable for both accent and general lighting. The body is made of a powder-coated aluminium housing, available in white, black, grey or black with a gold interior. The IP20 protection rating allows the luminaire to be used indoors, while the track version is fully compatible with 3-phase busbar systems, ensuring flexibility in installation and lighting configuration.

APPLICATION

Luminaire is used in spaces such as:

- corridors and passageways in office and institutional buildings
- entrance areas and lobbies
- staircases
- reception areas

LUNGO II TRACK 1550LM 70° II CL. IP20 BLACK/GOLD 830 DALI (12W)

DETAILED CARD

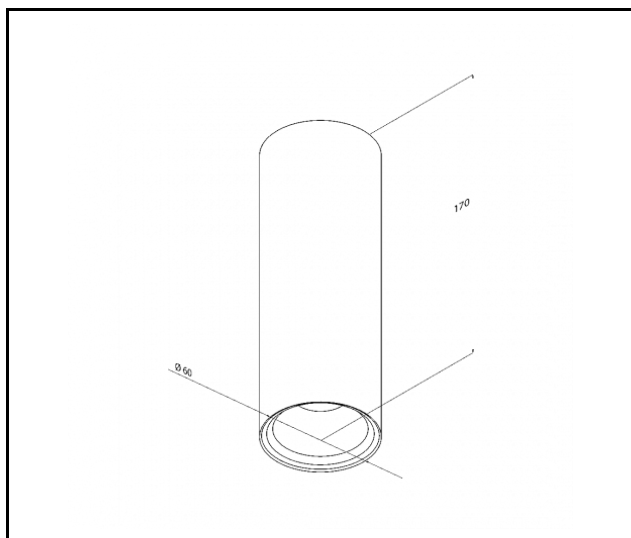
TECHNICAL PARAMETERS TABLE

Index:	780684	Material of the body:	aluminium
EAN:	5905963780684	Colour of the body:	black
Category type:	decorative fixtures	Ring material:	aluminium
Category of application:	architectural, office lighting, commercial facilities	Ring colour:	gold
Light source:	COB	Dimensions (H/W/T/S) [mm]:	fi=60 L=170
Rated power of the luminaire [W]:	12	Mounting dimensions [mm]:	L= 40mm fi6mm
Luminous flux [lm]:	1550	Ingress protection:	IP20
Supply voltage [V]:	220-240	Mounting version:	track
Frequency [Hz]:	0/50/60	DIMM DALI:	yes
Luminous efficacy [lm/W]:	129	Dimensions of single box [mm]:	260/130/65
Energy efficiency class:	D	Number on the palette [pcs]:	480
Electrical protection class:	II	Net weight [kg]:	0.515
Colour temperature [K]:	3000	Gross weight [kg]:	0.585
Color rendering index (Ra) >:	80	Photobiological safety:	Risk Group 1 (no photobiological hazard under normal behavioral limitation)
LED lifespan L90B10 [h]:	50000	Warranty [years]:	5
Beam angle [°]:	70	CE certificate:	01/2026
Exchangeable source:	yes	Manual:	Download PDF
Optics:	reflector	Plik LDT:	Download
Optics material:	aluminium		

LUNGO II TRACK 1550LM 70° II CL. IP20 BLACK/GOLD 830 DALI (12W)

DETAILED CARD

TECHNICAL PICTURES



Card creation date: 05 January 2026

The company reserves the right to make design changes or upgrades in the presented product. Product data sheet does not constitute an offer. * Parameter tolerance is +/- 10%



This product is a subject to electric and electronic waste equipment regulations (WEEE).



Certificate CE - Nr: 01/2026