

QUEST LED EVO XS RGBW DMX I CL. IP67 25D 52W

DETAILED CARD



TECHNICAL PARAMETERS

Index:	840791
Ingress protection:	IP67
Impact resistance:	IK10
Rated power of the luminaire [W]*:	52
Luminous flux [lm]*:	2650
Luminaire color temperature [K]:	RGBW (5500)
SDCM:	6
Electrical protection class:	I
Energy efficiency class:	G
Material of the body:	aluminium

CHARACTERISTICS

Quest LED Evo XS RGBW are compact yet extremely efficient premium floodlights manufactured in Poland. The body is made of powder-coated die-cast aluminium in corrosion class C5. The lack of an external heat sink and fins makes it easy to keep the luminaire clean. Tempered glass protects the high-performance LEDs, and a wide selection of optics allows the light beam to be perfectly matched to the needs of the project. The use of RGBW technology enables precise reproduction of the full colour palette, including natural white, ensuring the highest quality of lighting effects in architectural and decorative applications.

Thanks to their IP67 tightness and IK10 resistance, the floodlights perform well in all conditions, regardless of the weather and installation location. Quest LED Evo XS RGBW meets the requirements of PN-EN 60598-2 part 5, which allows them to be classified as illumination projectors with full freedom of installation (360° rotation) and resistance to strong winds.

The sealed quick connector significantly speeds up installation, eliminating the need for traditional connections. The intuitive system of coloured latches makes installation quick, easy and tool-free.

The accessory kit includes pole mounting brackets, a flush-mounting frame (e.g. for shelters), light pollution reduction screens and protective grilles in two colour versions (white RAL7016 – 4% reduction, body colour RAL7016 – 8%). A wide range of accessories ensures flexible configuration and easy adaptation to various design applications.

APPLICATION

Quest LED Evo XS RGBW floodlights are widely used in illumination, architectural and decorative lighting. They are perfect for illuminating building facades, historic buildings, monuments, bridges, viaducts, parks and urban spaces. Thanks to a wide selection of optics and the ability to precisely control the colour of light, they enable the creation of dynamic lighting scenes, impressive illumination of architectural details and atmospheric arrangements in commercial, cultural and religious buildings.

The luminaires are equipped with DMX control, which allows for full control of light parameters, synchronisation with other devices and the creation of advanced, programmable lighting effects.

This is a professional solution designed for projects where light is a key element in the arrangement of space and the creation of atmosphere.

QUEST LED EVO XS RGBW DMX I CL. IP67 25D 52W

DETAILED CARD

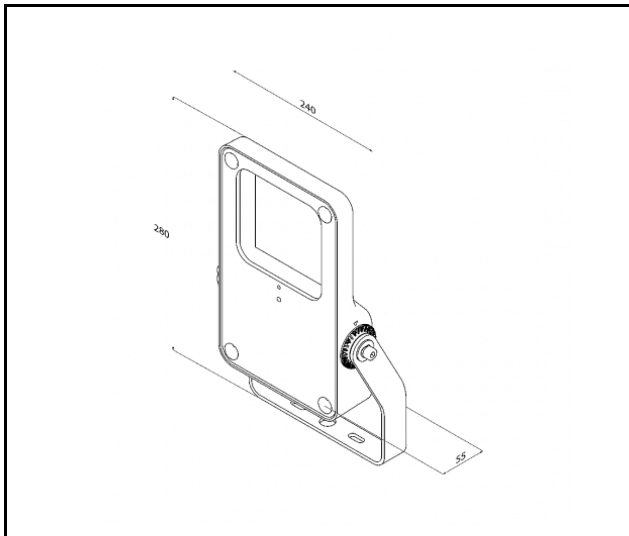
TECHNICAL PARAMETERS TABLE

Index:	840791	Dimensions (H/W/T/S) [mm]:	280/240/55
EAN:	5905963840791	Mounting dimensions [mm]:	100
Light source:	LED module	Impact resistance:	IK10
Rated power of the luminaire [W]:	52	Ingress protection:	IP67
Supply voltage [V]:	220-240	Mounting version:	surface
Frequency [Hz]:	50	Working temperature [°C]:	from -20 to +35
Luminous flux [lm]:	2650	Net weight [kg]:	2.700
Luminous efficacy [lm/W]:	51	LED lifespan L70B50 [h]:	80000
Energy efficiency class:	G	LED lifespan L80B10 [h]:	50000
Electrical protection class:	I	LED lifespan L90B10 [h]:	24000
Luminaire color temperature [K]:	RGBW (5500)	Light distribution type:	symmetric
SDCM:	6	Photobiological safety:	Risk Group 1 (no photobiological hazard under normal behavioral limitation)
Beam angle [°]:	25	Warranty [years]:	5
Surge protection [kV]:	4	CE certificate:	/2025
Diffuser material:	glass	Manual:	Download PDF
Diffuser type:	transparent	ISO Certificates:	9001:2015, 14001:2015, 45001:2018, 50001:2018
Material of the body:	aluminium	Plik LDT:	Download
Colour of the body:	RAL7016		

QUEST LED EVO XS RGBW DMX I CL. IP67 25D 52W

DETAILED CARD

TECHNICAL PICTURES

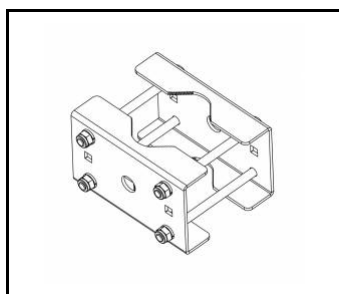


QUEST LED EVO XS RGBW DMX I CL. IP67 25D 52W

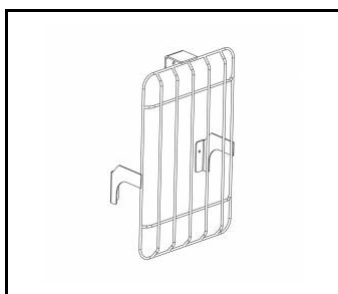
DETAILED CARD

ACCESSORIES AVAILABLE

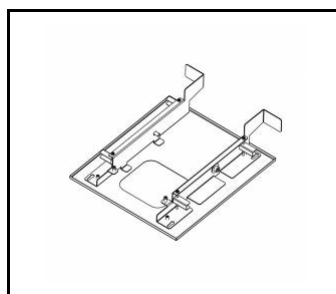
index	Name
840395	QUEST LED EVO XS pole holder
840425	QUEST LED EVO XS protective grid RAL7016
840456	QUEST LED EVO XS recessed frame RAL7016
840487	QUEST LED EVO XS cover RAL7016
881732	QUEST LED EVO XS protective grid RAL9003



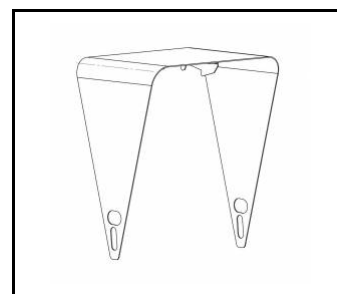
QUEST LED EVO XS pole holder (840395)



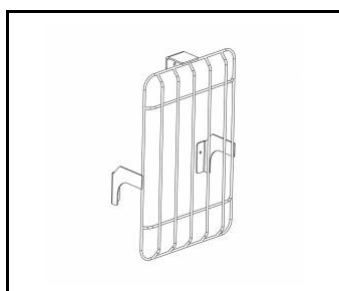
QUEST LED EVO XS protective grid RAL7016 (840425)



QUEST LED EVO XS recessed frame RAL7016 (840456)



QUEST LED EVO XS cover RAL7016 (840487)



QUEST LED EVO XS protective grid RAL9003 (881732)

Card creation date: 30 October 2025

The company reserves the right to make design changes or upgrades in the presented product. Product data sheet does not constitute an offer. * Parameter tolerance is +/- 10%



This product is a subject to electric and electronic waste equipment regulations (WEEE).



Certificate CE - Nr: /2025