

TUBA IP69K ENDURA PC 1220MM 9650LM 840 MW IK10 59W

DETAILED CARD



TECHNICAL PARAMETERS

Index:	013959
Ingress protection:	IP69K
Impact resistance:	IK10
Rated power of the luminaire [W]*:	59
Luminous flux [lm]*:	9650
Colour temperature [K]:	4000
Material of the body:	stainless steel
Diffuser material:	PC
Mounting version:	surface, suspended

CHARACTERISTICS

The Tuba IP69K ENDURA is a cylindrical luminaire for special tasks – where other solutions fail. The ENDURA version, with a separate power supply box, is designed for extreme temperature conditions – up to 50 (70) °C. It combines the highest tightness, chemical resistance and mechanical durability. Compliance with the IP69K standard means full protection against dust (IP6X) and complete resistance to water under extremely high pressure (100 bar) at 80°C (IPX9K). This makes the luminaire ideal for areas requiring intensive cleaning, including with strong water jets and detergents. The Tuba IP69K ENDURA is designed to operate in the most demanding conditions. Made of chemically resistant materials: PMMA and extremely resistant borosilicate glass, it ensures exceptional durability even in aggressive industrial environments. The acid-resistant steel end caps eliminate the risk of corrosion, and its resistance to ammonia and animal gases makes it the ideal solution for breeding and processing facilities. Thanks to the use of a decompression valve, the luminaire can easily withstand sudden temperature changes, and the highest impact resistance class IK10 (for the PC version) guarantees reliability in the most difficult operating conditions. The Tuba IP69K ENDURA achieves up to 194 lm/W, meeting the requirements of the highest energy class A. Through-wiring versions, various light distributions and two lengths (630 and 1220 mm) are available. In addition, versions with UGR<19, UGR<22, UGR<25 ensure visual comfort even in demanding applications. Minimalist design, ease of installation and maintenance make the IP69K Tuba a reliable and timeless solution. **UGR < 19**

Unified Glare Rating is an indicator of glare. The lower the Unified Glare Rating (UGR), the lower the glare.

APPLICATION

Ideal for places requiring regular high-pressure cleaning, such as car washes, sewage treatment plants, food processing plants and slaughterhouses. It performs excellently in environments with high humidity, extreme negative and positive temperatures, and aggressive vapours – from cold stores and freezers to mushroom farms, animal and plant breeding facilities, and heavy industry. Thanks to its superior chemical, mechanical and thermal resistance, it is a reliable solution for industry.

TUBA IP69K ENDURA PC 1220MM 9650LM 840 MW IK10 59W

DETAILED CARD

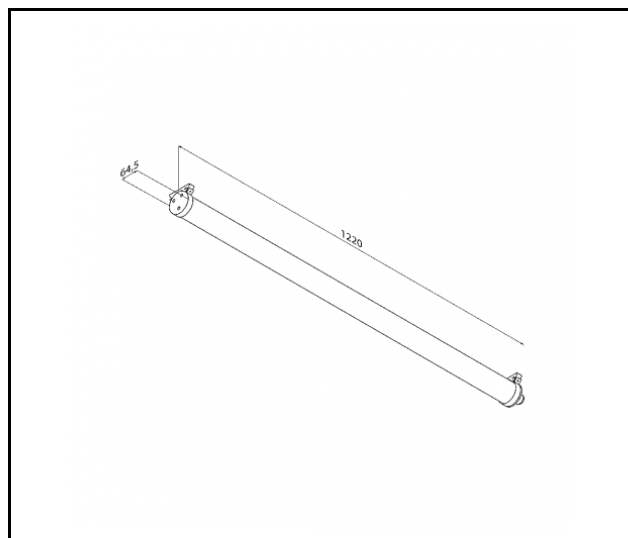
TECHNICAL PARAMETERS TABLE

Index:	013959	Dimensions (H/W/T/S) [mm]:	1281/64.5
EAN:	5905963013959	Mounting dimensions [mm]:	1195.5/195x152
Light source:	LED module	Impact resistance:	IK10
Rated power of the luminaire [W]:	59	Ingress protection:	IP69K
Luminous flux [lm]:	9650	Mounting version:	surface, suspended
Supply voltage [V]:	220-240	Working temperature [°C]:	from -25 to +50
Frequency [Hz]:	50-60	Tilt angle adjustment [°]:	yes
Luminous efficacy [lm/W]:	164	Wire type:	H07RN-F 3x1,5
Energy efficiency class:	B	Cable length [m]:	1.40
Electrical protection class:	I	Accessories included:	surface-mounted bracket
Colour temperature [K]:	4000	Through wiring:	LS1
Color rendering index (Ra) >:	80	Number on the palette [pcs]:	20
SDCM:	3	Net weight [kg]:	3.600
LED lifespan L70B50 [h]:	125000	Light distribution type:	MW
LED lifespan L80B10 [h]:	80000	Warranty [years]:	5
LED lifespan L90B10 [h]:	38000	CE certificate:	97/2025
Beam angle [°]:	90	HACCP:	852/2004
Surge protection [kV]:	2	Manual:	Download PDF
Diffuser material:	PC	ISO Certificates:	9001:2015, 14001:2015, 45001:2018, 50001:2018
Diffuser colour:	transparent	Plik LDT:	Download
Material of the body:	stainless steel		

TUBA IP69K ENDURA PC 1220MM 9650LM 840 MW IK10 59W

DETAILED CARD

TECHNICAL PICTURES



Card creation date: 12 August 2025

The company reserves the right to make design changes or upgrades in the presented product. Product data sheet does not constitute an offer. * Parameter tolerance is +/- 10%



This product is a subject to electric and electronic waste equipment regulations (WEEE).



Certificate CE - Nr: 97/2025