

# TUBA IP69K ENDURA PMMA 1220MM 6750LM 840 105D IK05 40W

DETAILED CARD



## TECHNICAL PARAMETERS

<b>Index:</b>	013805
<b>Ingress protection:</b>	IP69K
<b>Impact resistance:</b>	IK05
<b>Rated power of the luminaire [W]*:</b>	40
<b>Luminous flux [lm]*:</b>	6750
<b>Colour temperature [K]:</b>	4000
<b>Material of the body:</b>	stainless steel
<b>Diffuser material:</b>	PMMA
<b>Mounting version:</b>	surface, suspended

## CHARACTERISTICS

The Tuba IP69K ENDURA is a cylindrical luminaire for special tasks – where other solutions fail. The ENDURA version, with a separate power supply box, is designed for extreme temperature conditions – up to 50 (70) °C. It combines the highest tightness, chemical resistance and mechanical durability. Compliance with the IP69K standard means full protection against dust (IP6X) and complete resistance to water under extremely high pressure (100 bar) at 80°C (IPX9K). This makes the luminaire ideal for areas requiring intensive cleaning, including with strong water jets and detergents. The Tuba IP69K ENDURA is designed to operate in the most demanding conditions. Made of chemically resistant materials: PMMA and extremely resistant borosilicate glass, it ensures exceptional durability even in aggressive industrial environments. The acid-resistant steel end caps eliminate the risk of corrosion, and its resistance to ammonia and animal gases makes it the ideal solution for breeding and processing facilities. Thanks to the use of a decompression valve, the luminaire can easily withstand sudden temperature changes, and the highest impact resistance class IK10 (for the PC version) guarantees reliability in the most difficult operating conditions. The Tuba IP69K ENDURA achieves up to 194 lm/W, meeting the requirements of the highest energy class A. Through-wiring versions, various light distributions and two lengths (630 and 1220 mm) are available. In addition, versions with UGR<19, UGR<22, UGR<25 ensure visual comfort even in demanding applications. Minimalist design, ease of installation and maintenance make the IP69K Tuba a reliable and timeless solution.

### UGR < 19

Unified Glare Rating is an indicator of glare. The lower the Unified Glare Rating (UGR), the lower the glare.

## APPLICATION

Ideal for places requiring regular high-pressure cleaning, such as car washes, sewage treatment plants, food processing plants and slaughterhouses. It performs excellently in environments with high humidity, extreme negative and positive temperatures, and aggressive vapours – from cold stores and freezers to mushroom farms, animal and plant breeding facilities, and heavy industry. Thanks to its superior chemical, mechanical and thermal resistance, it is a reliable solution for industry.

# TUBA IP69K ENDURA PMMA 1220MM 6750LM 840 105D IK05 40W

DETAILED CARD

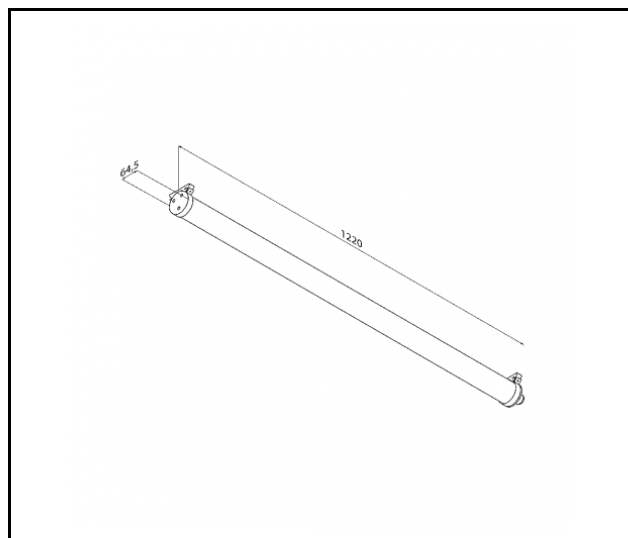
## TECHNICAL PARAMETERS TABLE

<b>Index:</b>	013805	<b>Dimensions (H/W/T/S) [mm]:</b>	1281/64.5
<b>EAN:</b>	5905963013805	<b>Mounting dimensions [mm]:</b>	1195.5/195x152
<b>Light source:</b>	LED module	<b>Impact resistance:</b>	IK05
<b>Rated power of the luminaire [W]:</b>	40	<b>Ingress protection:</b>	IP69K
<b>Luminous flux [lm]:</b>	6750	<b>Mounting version:</b>	surface, suspended
<b>Supply voltage [V]:</b>	220-240	<b>Working temperature [°C]:</b>	from -25 to +70
<b>Frequency [Hz]:</b>	50-60	<b>Tilt angle adjustment [°]:</b>	yes
<b>Luminous efficacy [lm/W]:</b>	169	<b>Wire type:</b>	H07RN-F 3x1,5
<b>Energy efficiency class:</b>	B	<b>Cable length [m]:</b>	1.40
<b>Electrical protection class:</b>	I	<b>Accessories included:</b>	surface-mounted bracket
<b>Colour temperature [K]:</b>	4000	<b>Through wiring:</b>	LS1
<b>Color rendering index (Ra) &gt;:</b>	80	<b>Number on the palette [pcs]:</b>	20
<b>SDCM:</b>	3	<b>Net weight [kg]:</b>	3.600
<b>LED lifespan L70B50 [h]:</b>	125000	<b>Light distribution type:</b>	symmetric
<b>LED lifespan L80B10 [h]:</b>	80000	<b>Warranty [years]:</b>	5
<b>LED lifespan L90B10 [h]:</b>	38000	<b>CE certificate:</b>	<a href="#">97/2025</a>
<b>Beam angle [°]:</b>	105	<b>HACCP:</b>	<a href="#">852/2004</a>
<b>Surge protection [kV]:</b>	2	<b>Manual:</b>	<a href="#">Download PDF</a>
<b>Diffuser material:</b>	PMMA	<b>ISO Certificates:</b>	9001:2015, 14001:2015, 45001:2018, 50001:2018
<b>Diffuser colour:</b>	transparent	<b>Plik LDT:</b>	<a href="#">Download</a>
<b>Material of the body:</b>	stainless steel		

# TUBA IP69K ENDURA PMMA 1220MM 6750LM 840 105D IK05 40W

DETAILED CARD

## TECHNICAL PICTURES



Card creation date: 12 August 2025

The company reserves the right to make design changes or upgrades in the presented product. Product data sheet does not constitute an offer. \* Parameter tolerance is +/- 10%



This product is a subject to electric and electronic waste equipment regulations (WEEE).



Certificate CE - Nr: 97/2025