

# CONSTELIA LED 3200LM 740 RM7 IP66 II CL. DALI SP10KV IK09 (24W)

DETAILED CARD



## TECHNICAL PARAMETERS

<b>Index:</b>	809125
<b>Ingress protection:</b>	IP66
<b>Impact resistance:</b>	IK09
<b>Rated power of the luminaire [W]*:</b>	24
<b>Luminous flux [lm]*:</b>	3200
<b>Colour temperature [K]:</b>	4000
<b>Color rendering index (Ra) &gt;:</b>	70
<b>Optics:</b>	RM7
<b>Control:</b>	Yes + 5-stage power reduction

## CHARACTERISTICS

Constelia LED is a new generation of stylised LED park-and-ride luminaires. It uses directional multi-lens matrices, made of PMMA, with each lens having dedicated optics, ensuring the light characteristics remain consistent over time. The luminaire's design ensures that the luminaire's internal chamber remains sealed. As standard, the luminaire offers tool-free access to the electrical equipment, which, if desired and to protect against vandalism or uncontrolled opening, can optionally be permanently secured with screws. The luminaire offers rapid and convenient serviceability, allowing one integrated component to be replaced without the need to dismantle the entire luminaire and make soldered or screwed connections. No on-site service work is required. Simply replace the module with a spare (accessory) close the luminaire and the service work is then carried out on site: at the luminaire owner's facility or sent back to the manufacturer's service centre. The luminaire body and handle are made of die-cast aluminium, powder-coated black and have a very high IP66 ingress protection and IK09 mechanical shock resistance.

Accessories available: NTC overheating protection; fully programmable DALI driver; luminaire CLO and Autonomous 5-step power reduction functions available; connection terminals; tool-free access protected by a knife disconnect switch to de-energise the integral module if the compartment is opened.

Additional options: stylised glazing to transform the external appearance of the luminaire, ZHAGA connector (ZhagaBook 18); interfacing with control systems, anti-vandal protection with screws; additional SP10kV protection outside the power supply, on/off power supply without power reduction; design with cable terminated with quick connector; painting in any RAL colour. Certifications: CE, RoHS, ENEC, ENEC+, Zhaga-D4i.

## APPLICATION

Outdoor areas of places such as town halls, libraries, town halls, health facilities, schools, kindergartens, public gardens, streets, pavements, recreational areas: playing fields, playgrounds, cycle paths, historical sites, old towns.

# CONSTELIA LED 3200LM 740 RM7 IP66 II CL. DALI SP10KV IK09 (24W)

DETAILED CARD

## TECHNICAL PARAMETERS TABLE

Index:	809125	Mounting dimensions [mm]:	ø70
EAN:	5905963809125	Impact resistance:	IK09
Category type:	Park and city lighting	Ingress protection:	IP66
Category of application:	parkings and bicycle paths	Mounting version:	top
Light source:	LED module	Lateral surface (SCx) [m2]:	0.08
Rated power of the luminaire [W]:	24	Working temperature [°C]:	from -40 to +50
Luminous flux [lm]:	3200	DIMM DALI:	yes
Supply voltage [V]:	220-240	Control:	Yes + 5-stage power reduction
Luminous efficacy [lm/W]:	133	Wire type:	HO7 RNF-2x1
Energy efficiency class:	D	Cable length [m]:	1.50
Electrical protection class:	II	Protection type:	NTC + ESD + SP10kV/10kA
Colour temperature [K]:	4000	Number on the palette [pcs]:	8
Color rendering index (Ra) >:	70	Net weight [kg]:	7
SDCM:	4	ETIM class:	EC000062
Power factor:	0.97	Photobiological safety:	RG0 - exempt (no photobiological hazard)
Surge protection [kV]:	10	Warranty [years]:	5 z możliwością przedłużenia do 10
Diffuser material:	tempered glass	CE certificate:	<a href="#">87/2025</a>
Diffuser type:	transparent	ENEC Certificate:	<a href="#">0431/ENEC/25; 0151/ENEC+/25</a>
Optics:	RM7	Zhaga-D4i:	<a href="#">ZG448511062025</a>
Optics material:	PMMA + PC	Environmental Product Declaration (EPD):	<a href="#">683/2024</a>
Material of the body:	powder coated aluminium	Manual:	<a href="#">Download PDF</a>
Colour of the body:	black	ISO Certificates:	9001:2015, 14001:2015, 45001:2018, 50001:2018
Dimensions (H/W/T/S) [mm]:	425/425/827		

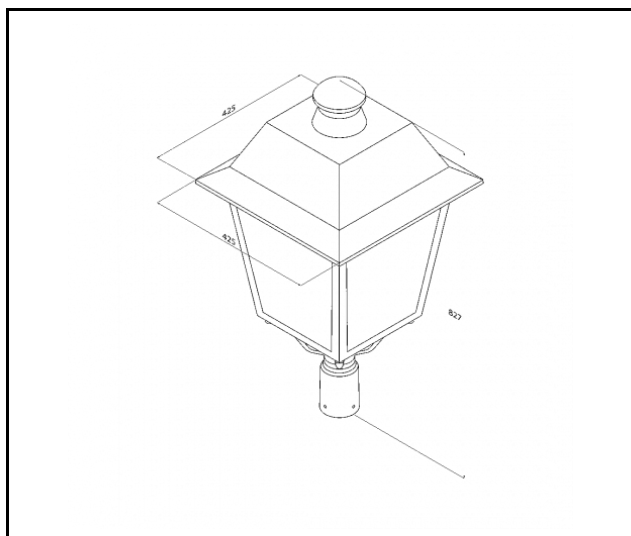
## LIGHT CURVES



# CONSTELIA LED 3200LM 740 RM7 IP66 II CL. DALI SP10KV IK09 (24W)

DETAILED CARD

TECHNICAL PICTURES



# CONSTELIA LED 3200LM 740 RM7 IP66 II CL. DALI SP10KV IK09 (24W)

DETAILED CARD

## ACCESSORIES AVAILABLE

index	Name
809972	Constelia LED milky diffuser
809989	Constelia LED frosted diffuser
809996	Constelia LED transparent diffuser
810992	Constelia LED sandblasted diffuser
809330	Constelia LED backshield



Constelia LED frosted  
diffuser (809989)



Constelia LED transparent  
diffuser (809996)

Card creation date: 08 May 2026

The company reserves the right to make design changes or upgrades in the presented product. Product data sheet does not constitute an offer. \* Parameter tolerance is +/- 10%



This product is a subject to electric and electronic waste equipment regulations (WEEE).



Certificate CE - Nr: 87/2025