

BARIS 52 LED Z LAMPA X 2100LM 840 IP20 I CL. PRM BLACK 17W SINGLE

DETAILED CARD



TECHNICAL PARAMETERS

Index:	320194
Ingress protection:	IP20
Impact resistance:	IK03
Rated power of the luminaire [W]*:	17
Luminous flux [lm]*:	2100
Colour temperature [K]:	4000
Material of the body:	aluminium
Colour of the body:	black
Diffuser material:	PC
Diffuser type:	PRM

CHARACTERISTICS

A suspended lighting lamp of classic proportions and modern design. The lamp body is made from anodised aluminium profile in grey or an aluminium profile painted in white or black (other colours available on request). The optical system in the form of a prismatic diffuser (PRM) or a dedicated, flexible opal shade evenly illuminates the lamp. The modularity and demountability of the lamp allow the replacement of electronic components such as the LED strip, power supply and the replacement of the diffuser by qualified persons. The lamp profile has been adapted to work with IoT smart modules, which will further optimise the level and amount of light it provides. The lamp is equipped with a unique pendant system for easy lamp installation and sling adjustment. All Baris 52 LED Single suspended luminaires include a 1.2m sling with box included and are fitted with a diffuser.

APPLICATION

Baris 52 LED Single in the shape of an L, X, T create extraordinary lighting configurations to suit the character and shape of the room, making it possible to create different figures and patterns.

BARIS 52 LED Z LAMPA X 2100LM 840 IP20 I CL. PRM BLACK 17W SINGLE

DETAILED CARD

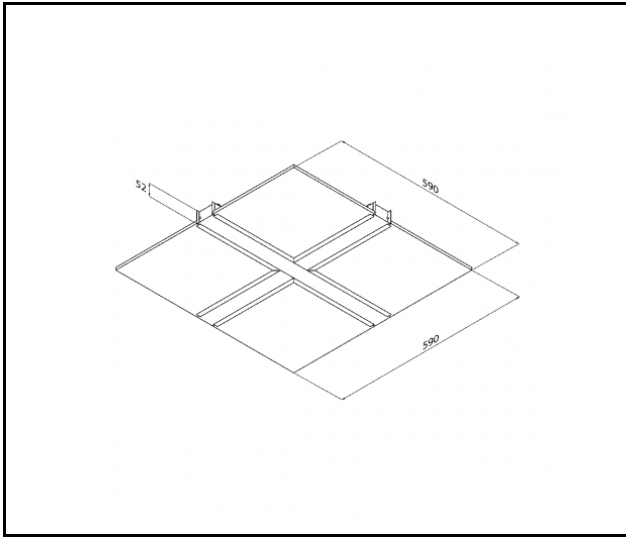
TECHNICAL PARAMETERS TABLE

Index:	320194	Diffuser type:	PRM
Light source:	LED module	Material of the body:	aluminium
Rated power of the luminaire [W]:	17	Colour of the body:	black
Luminous flux [lm]:	2100	Dimensions (H/W/T/S) [mm]:	590/590/52
Supply voltage [V]:	220 - 240	Impact resistance:	IK03
Frequency [Hz]:	50 - 60	Ingress protection:	IP20
Luminous efficacy [lm/W]:	124	Mounting version:	suspended
Energy efficiency class:	D	Net weight [kg]:	2.300
Electrical protection class:	I	Product line:	X
Colour temperature [K]:	4000	Category of application:	office lighting
Color rendering index (Ra) >:	80	Warranty [years]:	5
SDCM:	3	CE certificate:	40/2025
LED lifespan L70B50 [h]:	112000	Manual:	Download PDF
LED lifespan L80B10 [h]:	70 000	Environmental Product Declaration (EPD):	852/2025
LED lifespan L90B10 [h]:	34000	ISO Certificates:	9001:2015, 14001:2015, 45001:2018, 50001:2018
Diffuser material:	PC	Plik LDT:	Download

BARIS 52 LED Z LAMPA X 2100LM 840 IP20 I CL. PRM BLACK 17W SINGLE

DETAILED CARD

TECHNICAL PICTURES



Card creation date: 16 December 2025

The company reserves the right to make design changes or upgrades in the presented product. Product data sheet does not constitute an offer. * Parameter tolerance is +/- 10%



This product is a subject to electric and electronic waste equipment regulations (WEEE).



Certificate CE - Nr: 40/2025