

DOT CR LED EVO 3W 450LM LB IP65/IP20 1H NM AT RAL9005

DETAILED CARD



TECHNICAL PARAMETERS

| | |
|---|-------------|
| Index: | 236396 |
| Ingress protection: | IP20 / IP65 |
| Impact resistance: | IK07 |
| Rated power of the luminaire [W]*: | 3 |
| Luminous flux [lm]*: | 450 |
| Colour temperature [K]: | 4000 |
| Material of the body: | PC |
| Diffuser material: | PMMA |
| Diffuser type: | lens |
| Optics material: | PC |

CHARACTERISTICS

Recessed 3W standalone emergency luminaire with integrated energy-efficient LED light module with 450lm light output. Body made of polycarbonate (PC). Optics available in 4 variants: general wide, general narrow, corridor wide, corridor narrow. DOT LED EVO has a built-in Li-ion battery, with an emergency operating time of 1h or 3h. The luminaire is available in an autotest (AT) version. Available in white or black.

APPLICATION

A self-contained emergency luminaire whose main use is to illuminate escape routes and fire protection equipment following a mains power failure. Particularly recommended where it is necessary to install emergency lighting as part of the modernisation of the existing installation. Depending on the optics used, the luminaire can illuminate: escape routes (with corridor distribution) or be used as panic lighting with standard general distribution.

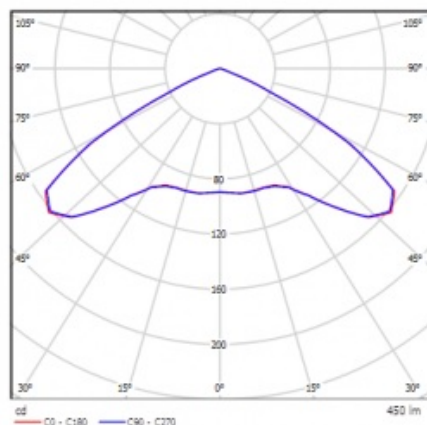
DOT CR LED EVO 3W 450LM LB IP65/IP20 1H NM AT RAL9005

DETAILED CARD

TECHNICAL PARAMETERS TABLE

| | | | |
|-----------------------------------|-------------|----------------------------|------------------------------|
| Index: | 236396 | Colour of the body: | black |
| Light source: | LED module | Dimensions (H/W/T/S) [mm]: | ø135/30 |
| Rated power of the luminaire [W]: | 3 | Mounting dimensions [mm]: | ø100 |
| Supply voltage [V]: | 230 | Impact resistance: | IK07 |
| Frequency [Hz]: | 50-60 | Ingress protection: | IP20 / IP65 |
| Luminous flux [lm]: | 450 | Mounting version: | recessed |
| Luminous efficacy [lm/W]: | 150 | Working temperature [°C]: | from +5 to +35 |
| Electrical protection class: | I | Emergency lighting [h]: | 1 |
| Colour temperature [K]: | 4000 | Net weight [kg]: | 0.430 |
| LED lifespan L70B50 [h]: | 167000 | Category type: | emergency lighting |
| Beam angle [°]: | CRLB | Autotest: | yes |
| Exchangeable source: | yes | Operating mode: | NM |
| Battery: | Li-Ion | Light distribution type: | general wide |
| Battery capacity [mAh]: | 2500 | LED lifespan L80B10 [h]: | 101000 |
| Diffuser material: | PMMA | LED lifespan L90B10 [h]: | 49500 |
| Diffuser type: | lens | Warranty [years]: | 5 |
| Diffuser colour: | transparent | CE certificate: | 42/2025 |
| Optics material: | PC | Manual: | Download PDF |
| Material of the body: | PC | Plik LDT: | Download |

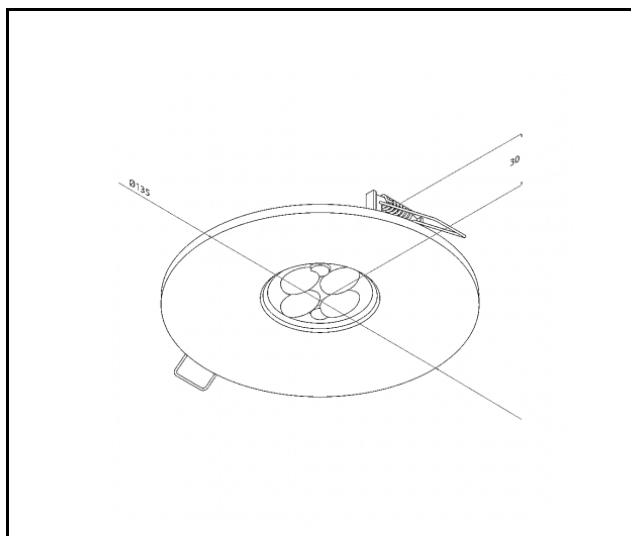
LIGHT CURVES



DOT CR LED EVO 3W 450LM LB IP65/IP20 1H NM AT RAL9005

DETAILED CARD

TECHNICAL PICTURES



Card creation date: 20 May 2025

The company reserves the right to make design changes or upgrades in the presented product. Product data sheet does not constitute an offer. * Parameter tolerance is +/- 10%



This product is a subject to electric and electronic waste equipment regulations (WEEE).



Certificate CE - Nr: 42/2025