

FACTOR LED 2M 32000LM 840 90D IP66 (202W) C5-M

DETAILED CARD



TECHNICAL PARAMETERS

| | |
|---|--------|
| Index: | 682216 |
| Ingress protection: | IP66 |
| Impact resistance: | IK09 |
| Rated power of the luminaire [W]*: | 202 |
| Luminous flux [lm]*: | 32000 |
| Colour temperature [K]: | 4000 |
| Color rendering index (Ra) >: | 80 |
| SDCM: | 3 |
| Electrical protection class: | I |
| Energy efficiency class: | B |

CHARACTERISTICS

Factor Led C5-M (corrosion protection in harsh industrial and marine environments) is the latest generation of high-powered floodlight with impressive lumen output. It is characterised not only by very high luminous efficiency, but also by high IP66 sealing and IK09 impact resistance. These parameters were achieved thanks to the branded components used, the robust housing made of cast aluminium LM-6 (aluminium-silicon alloy) and the use of a passive lamp cooling system, which allows excess heat generation to be dissipated during lamp operation. In the C5-M version, the paint coating plays an even more important role. The Factor Led has the advantage of being very quick and easy to install. The lightweight steel arm is attached to the supporting structure (wall, column) and then the light modules are plugged in. On one bracket, the installer can plug in a lamp containing 1 to 4 such modules.

APPLICATION

Ports, wharves, shipyards, oil rigs and offshore infrastructure, chemical industry and refineries, bridges and infrastructure exposed to marine conditions, lighting on ships and ferries, industrial areas, playing fields, airports, car parks with high humidity and salinity.

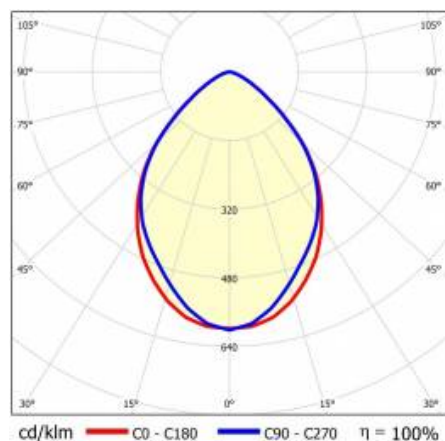
FACTOR LED 2M 32000LM 840 90D IP66 (202W) C5-M

DETAILED CARD

TECHNICAL PARAMETERS TABLE

| | | | |
|-----------------------------------|---------------|--|------------------------------|
| Index: | 682216 | Material of the body: | aluminium |
| EAN: | 5905963682216 | Colour of the body: | RAL7016 |
| Light source: | LED module | Dimensions (H/W/T/S) [mm]: | 385/425/340 |
| Rated power of the luminaire [W]: | 202 | Mounting dimensions [mm]: | 310 |
| Luminous flux [lm]: | 32000 | Impact resistance: | IK09 |
| Supply voltage [V]: | 220-240 | Ingress protection: | IP66 |
| Frequency [Hz]: | 47-63 | Mounting version: | top |
| Luminous efficacy [lm/W]: | 158 | Working temperature [°C]: | from -40 to +45 |
| Energy efficiency class: | B | Dimensions of single box [mm]: | 430 |
| Electrical protection class: | I | Number on the palette [pcs]: | 18 |
| Colour temperature [K]: | 4000 | Net weight [kg]: | 11.790 |
| Color rendering index (Ra) >: | 80 | Version: | 2 modules |
| SDCM: | 3 | Light distribution type: | symmetric |
| Power factor: | 0.98 | Corrosivity category: | C5-M |
| LED lifespan L70B50 [h]: | 156000 | Warranty [years]: | 5 |
| LED lifespan L80B10 [h]: | 98000 | CE certificate: | 262/2023 |
| LED lifespan L90B10 [h]: | 47000 | ENEC Certificate: | 0404/ENEC/25 |
| Beam angle [°]: | 90 | Environmental Product Declaration (EPD): | 816/2025 |
| Surge protection [kV]: | 6 | Manual: | Download PDF |
| Diffuser material: | PC | Pliik LDT: | Download |

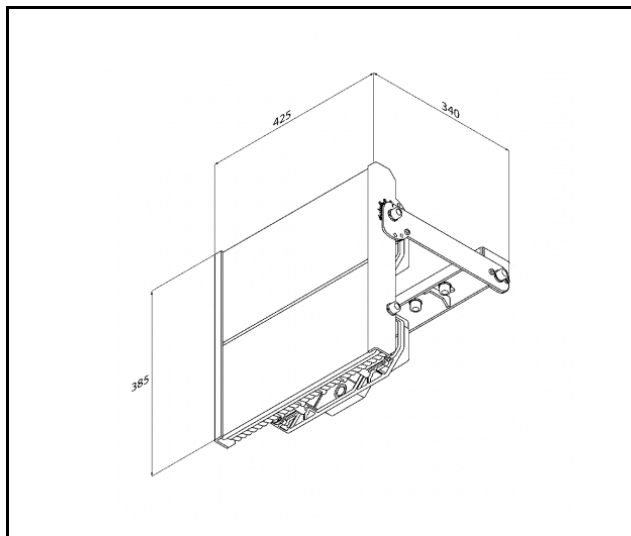
LIGHT CURVES



FACTOR LED 2M 32000LM 840 90D IP66 (202W) C5-M

DETAILED CARD

TECHNICAL PICTURES



Card creation date: 19 February 2025

The company reserves the right to make design changes or upgrades in the presented product. Product data sheet does not constitute an offer. * Parameter tolerance is +/- 10%



This product is a subject to electric and electronic waste equipment regulations (WEEE).



Certificate CE - Nr: 262/2023