

FACTOR LED 4M 118800LM 740 PP1 DALI IP66 SH (932W) C5-M

DETAILED CARD



TECHNICAL PARAMETERS

Index:	682759
Ingress protection:	IP66
Impact resistance:	IK09
Rated power of the luminaire [W]*:	932
Luminous flux [lm]*:	118800
Colour temperature [K]:	4000
Color rendering index (Ra) >:	70
SDCM:	5
Electrical protection class:	I
Energy efficiency class:	D

CHARACTERISTICS

Factor Led C5-M (corrosion protection in harsh industrial and marine environments) is the latest generation of high-powered floodlight with impressive lumen output. It is characterised not only by very high luminous efficiency, but also by high IP66 sealing and IK09 impact resistance. These parameters were achieved thanks to the branded components used, the robust housing made of cast aluminium LM-6 (aluminium-silicon alloy) and the use of a passive lamp cooling system, which allows excess heat generation to be dissipated during lamp operation. In the C5-M version, the paint coating plays an even more important role. The Factor Led has the advantage of being very quick and easy to install. The lightweight steel arm is attached to the supporting structure (wall, column) and then the light modules are plugged in. On one bracket, the installer can plug in a lamp containing 1 to 4 such modules.

APPLICATION

Ports, wharves, shipyards, oil rigs and offshore infrastructure, chemical industry and refineries, bridges and infrastructure exposed to marine conditions, lighting on ships and ferries, industrial areas, playing fields, airports, car parks with high humidity and salinity.

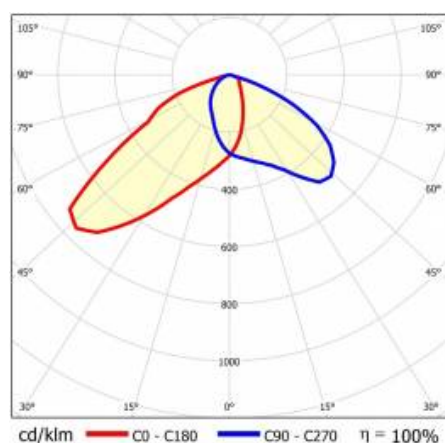
FACTOR LED 4M 118800LM 740 PP1 DALI IP66 SH (932W) C5-M

DETAILED CARD

TECHNICAL PARAMETERS TABLE

Index:	682759	Colour of the body:	RAL7016
EAN:	5905963682759	Dimensions (H/W/T/S) [mm]:	774/425/340
Light source:	LED module	Mounting dimensions [mm]:	310
Rated power of the luminaire [W]:	932	Impact resistance:	IK09
Luminous flux [lm]:	118800	Ingress protection:	IP66
Supply voltage [V]:	100-277	Mounting version:	top
Frequency [Hz]:	47-63	Working temperature [°C]:	from -40 to +45
Luminous efficacy [lm/W]:	127	DIMM DALI:	yes
Energy efficiency class:	D	The number of implement units:	4
Electrical protection class:	I	Dimensions of single box [mm]:	430
Colour temperature [K]:	4000	Number on the palette [pcs]:	18
Color rendering index (Ra) >:	70	Net weight [kg]:	23.840
SDCM:	5	Version:	4 modules
Power factor:	0.97	Light distribution type:	PP1
LED lifespan L70B50 [h]:	156000	Corrosivity category:	C5-M
LED lifespan L80B10 [h]:	98000	Warranty [years]:	5
LED lifespan L90B10 [h]:	47000	CE certificate:	262/2023
Beam angle [°]:	PP1	ENEC Certificate:	0404/ENEC/25
Surge protection [kV]:	6	Environmental Product Declaration (EPD):	816/2025
Diffuser material:	tempered glass	Manual:	Download PDF
Material of the body:	aluminium	Plik LDT:	Download

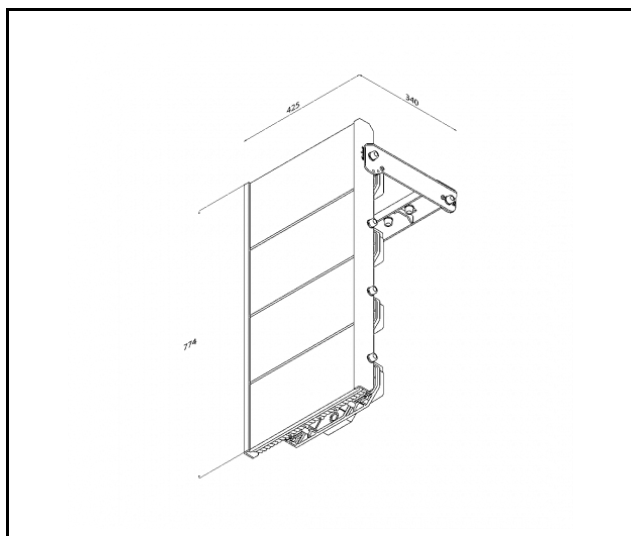
LIGHT CURVES



FACTOR LED 4M 118800LM 740 PP1 DALI IP66 SH (932W) C5-M

DETAILED CARD

TECHNICAL PICTURES



Card creation date: 19 February 2025

The company reserves the right to make design changes or upgrades in the presented product. Product data sheet does not constitute an offer. * Parameter tolerance is +/- 10%



This product is a subject to electric and electronic waste equipment regulations (WEEE).



Certificate CE - Nr: 262/2023