

TUBA IP69K PMMA 630MM 1650LM 840 LS2 (1F) 120D IK05 10W

DETAILED CARD



TECHNICAL PARAMETERS

Index:	773129
Ingress protection:	IP69K
Impact resistance:	IK05
Rated power of the luminaire [W]*:	10
Luminous flux [lm]*:	1650
Colour temperature [K]:	4000
Color rendering index (Ra) >:	80
SDCM:	3
Electrical protection class:	I
Energy efficiency class:	B

CHARACTERISTICS

Tuba IP69K is a cylindrical luminaire for special tasks - where other solutions fail. Designed for extreme conditions, it combines superior sealing, chemical resistance and mechanical durability. Meeting the standard for IP69K means full protection against dust (IP6X) and complete resistance to water at extremely high pressure (100 bar) at 80°C (IPX9K). This makes the luminaire ideal for areas requiring intensive cleaning, including with powerful water jets and detergents. The IP69K tube is designed to operate in the most demanding conditions. Made from chemically resistant materials: PMMA and extremely resistant borosilicate glass - ensuring exceptional durability even in aggressive industrial environments. The turned acid-resistant steel endcap eliminates the risk of corrosion, and its resistance to ammonia and zoonotic gases makes it ideal for livestock and processing facilities. Thanks to the decompression valve, the luminaire easily withstands rapid temperature changes, and the highest IK10 impact resistance rating (for the PC version) guarantees reliability in the harshest operating conditions. The IP69K tube achieves up to 194 lm/W, meeting the requirements of the highest energy class A. Through-beam versions, different lens distributions and two lengths (630 and 1220 mm) are available. In addition, versions with UGR<19, UGR<22, UGR<25 provide visual comfort even in demanding applications. Minimalist design, ease of installation and cleanliness make the Tuba IP69K a reliable and timeless solution.

APPLICATION

Ideal for areas requiring regular high-pressure cleaning, such as car washes, sewage treatment plants, food processing plants or slaughterhouses. It excels in environments with high humidity, sub-zero temperatures and aggressive fumes - from cold stores and freezers to mushroom, animal and plant farms. Thanks to its superior chemical and mechanical resistance, it is a reliable solution for workshops and service channels. It is also ideal for industrial halls, traffic routes and even as minimalist, decorative general lighting in commercial buildings.

TUBA IP69K PMMA 630MM 1650LM 840 LS2 (1F) 120D IK05 10W

DETAILED CARD

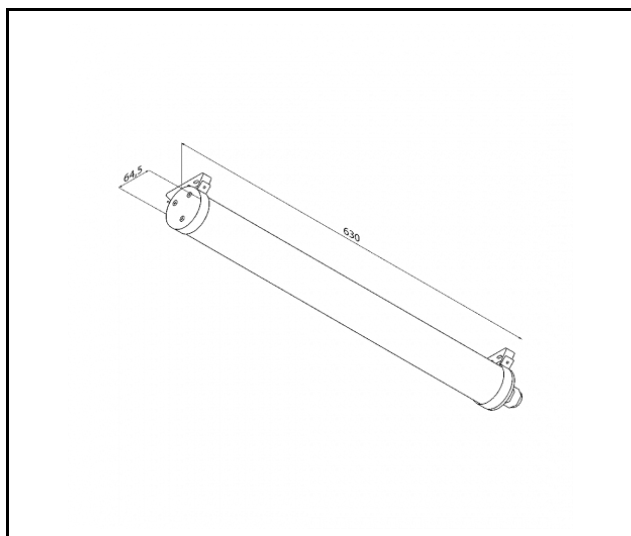
TECHNICAL PARAMETERS TABLE

Index:	773129	Material of the body:	stainless steel
EAN:	5905963773129	Dimensions (H/W/T/S) [mm]:	697/64.5
Light source:	LED module	Mounting dimensions [mm]:	602.5
Rated power of the luminaire [W]:	10	Impact resistance:	IK05
Luminous flux [lm]:	1650	Ingress protection:	IP69K
Supply voltage [V]:	220-240	Mounting version:	surface, suspended
Frequency [Hz]:	50-60	Working temperature [°C]:	from -30 to +45
Luminous efficacy [lm/W]:	165	Tilt angle adjustment [°]:	yes
Energy efficiency class:	B	Wire type:	H07RN-F 3x1,5
Electrical protection class:	I	Through wiring:	LS2
Colour temperature [K]:	4000	Remarks:	Cable length 2 x 1.4m
Color rendering index (Ra) >:	80	Accessories included:	surface-mounted bracket
SDCM:	3	Number on the palette [pcs]:	154
LED lifespan L70B50 [h]:	139000	Net weight [kg]:	2.500
LED lifespan L80B10 [h]:	88000	Light distribution type:	symmetric
LED lifespan L90B10 [h]:	43000	Warranty [years]:	5
Beam angle [°]:	120	CE certificate:	11/2025
Surge protection [kV]:	2	Manual:	Download PDF
Diffuser material:	PMMA	Plik LDT:	Download
Diffuser colour:	transparent		

TUBA IP69K PMMA 630MM 1650LM 840 LS2 (1F) 120D IK05 10W

DETAILED CARD

TECHNICAL PICTURES



TUBA IP69K PMMA 630MM 1650LM 840 LS2 (1F) 120D IK05 10W

DETAILED CARD

ACCESSORIES AVAILABLE

index	Name
778254	Tuba IP69K 3P connector set
778261	Connector set Tuba IP69K 5P DALI



Tuba IP69K 3P connector set (778254)



Connector set Tuba IP69K 5P DALI (778261)

Card creation date: 17 February 2025

The company reserves the right to make design changes or upgrades in the presented product. Product data sheet does not constitute an offer. * Parameter tolerance is +/- 10%



This product is a subject to electric and electronic waste equipment regulations (WEEE).



Certificate CE - Nr: 11/2025