

ILUMI GROUND M 3200LM 830 IP67 I CL. 10° SILVER ALU 30W

DETAILED CARD



TECHNICAL PARAMETERS

Index:	377266
Rated power of the luminaire [W]*:	30
Ingress protection:	IP67
Impact resistance:	IK10
Luminous flux [lm]*:	3200
Colour temperature [K]:	3000
Color rendering index (Ra) >:	80
Material of the body:	aluminium
Colour of the body:	silver
Beam angle [°]:	10

CHARACTERISTICS

The Ilumi Ground series was designed for the most demanding customers looking for customised and economical solutions. The body of the luminaire is made of cast aluminium, which has enabled a significant reduction in weight and price. A mounting box is included.

APPLICATION

The luminaires are ideal for illuminating garden or park spaces. Due to their lightweight construction, they are easy to install on external walls. The Ilumi Ground luminaire can be used to illuminate a wide range of spaces and objects, such as parks, gardens, terraces, squares, premises and plants.

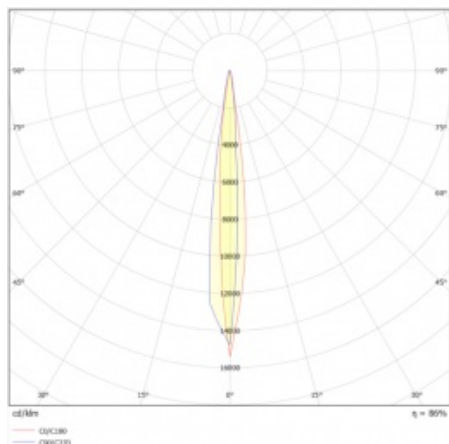
ILUMI GROUND M 3200LM 830 IP67 I CL. 10° SILVER ALU 30W

DETAILED CARD

TECHNICAL PARAMETERS TABLE

Index:	377266	Version:	M
EAN:	5905963377266	Dimensions (H/W/T/S) [mm]:	fi216.5
Light source:	COB LED	Impact resistance:	IK10
Rated power of the luminaire [W]:	30	Ingress protection:	IP67
Supply voltage [V]:	220 - 240	Working temperature [°C]:	from -20 to +55
Frequency [Hz]:	50 - 60	Control:	ON/OFF
Luminous flux [lm]:	3200	Wire type:	H07RN-F 3G4
Electrical protection class:	I	Cable length [m]:	0.50
Colour temperature [K]:	3000	Category type:	accent lighting
Color rendering index (Ra) >:	80	LED lifespan L90B10 [h]:	60000
Beam angle [°]:	10	Warranty [years]:	5
Material of the body:	aluminium	CE certificate:	55/2025
Colour of the body:	silver	Manual:	Download PDF
Ring material:	SST	Plik LDT:	Download
Ring colour:	silver		

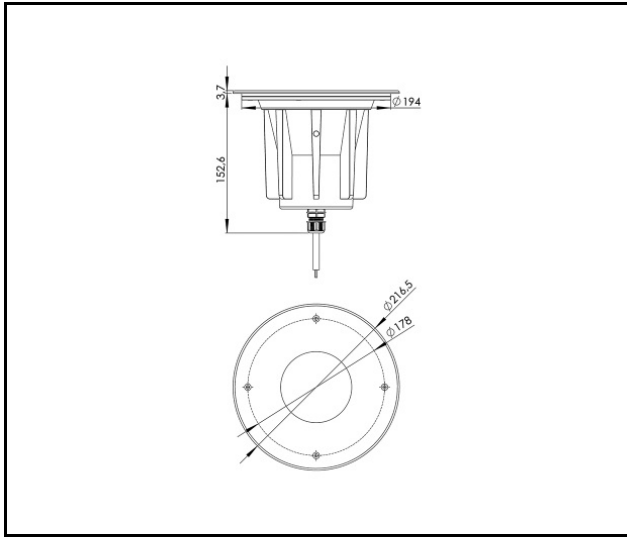
LIGHT CURVES



ILUMI GROUND M 3200LM 830 IP67 I CL. 10° SILVER ALU 30W

DETAILED CARD

TECHNICAL PICTURES



Card creation date: 15 April 2025

The company reserves the right to make design changes or upgrades in the presented product. Product data sheet does not constitute an offer. * Parameter tolerance is +/- 10%



This product is a subject to electric and electronic waste equipment regulations (WEEE).



Certificate CE - Nr: 55/2025