

# ILUMI GROUND S 1390LM 830 IP67 I CL. 30° SILVER ALU 17W

DETAILED CARD



## TECHNICAL PARAMETERS

<b>Index:</b>	377235
<b>Rated power of the luminaire [W]*:</b>	17
<b>Ingress protection:</b>	IP67
<b>Impact resistance:</b>	IK10
<b>Luminous flux [lm]*:</b>	1390
<b>Colour temperature [K]:</b>	3000
<b>Color rendering index (Ra) &gt;:</b>	80
<b>Material of the body:</b>	aluminium
<b>Colour of the body:</b>	silver
<b>Beam angle [°]:</b>	30

## CHARACTERISTICS

The Ilumi Ground series was designed for the most demanding customers looking for customised and economical solutions. The body of the luminaire is made of cast aluminium, which has enabled a significant reduction in weight and price. A mounting box is included.

## APPLICATION

The luminaires are ideal for illuminating garden or park spaces. Due to their lightweight construction, they are easy to install on external walls. The Ilumi Ground luminaire can be used to illuminate a wide range of spaces and objects, such as parks, gardens, terraces, squares, premises and plants.

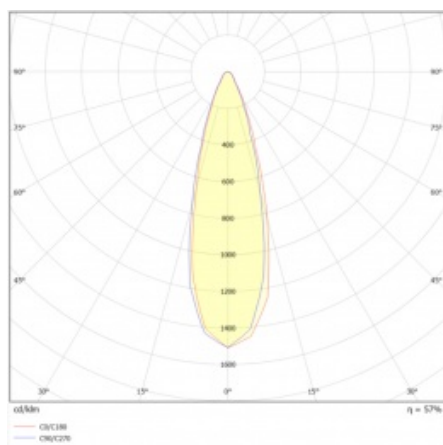
# ILUMI GROUND S 1390LM 830 IP67 I CL. 30° SILVER ALU 17W

DETAILED CARD

## TECHNICAL PARAMETERS TABLE

Index:	377235	Version:	S
EAN:	5905963377235	Dimensions (H/W/T/S) [mm]:	f148
Light source:	COB LED	Impact resistance:	IK10
Rated power of the luminaire [W]:	17	Ingress protection:	IP67
Supply voltage [V]:	220 - 240	Working temperature [°C]:	from -20 to +55
Frequency [Hz]:	50 - 60	Control:	ON/OFF
Luminous flux [lm]:	1390	Wire type:	H07RN-F 3G4
Electrical protection class:	I	Cable length [m]:	0.50
Colour temperature [K]:	3000	Category type:	accent lighting
Color rendering index (Ra) >:	80	LED lifespan L90B10 [h]:	60000
Beam angle [°]:	30	Warranty [years]:	5
Material of the body:	aluminium	CE certificate:	<a href="#">55/2025</a>
Colour of the body:	silver	Manual:	<a href="#">Download PDF</a>
Ring material:	SST	Plik LDT:	<a href="#">Download</a>
Ring colour:	silver		

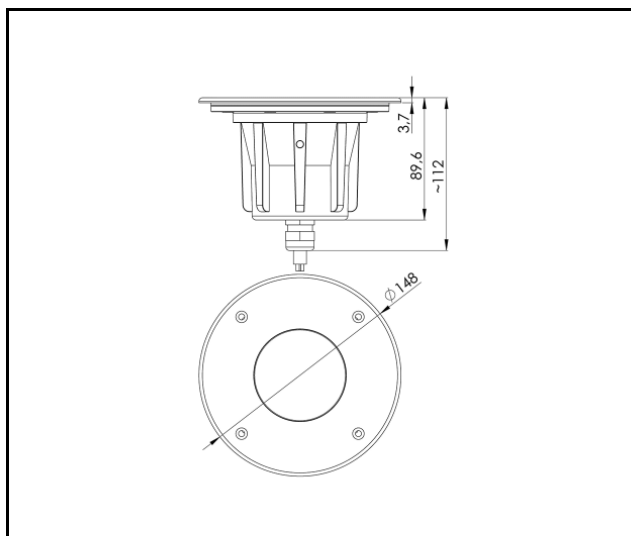
## LIGHT CURVES



# ILUMI GROUND S 1390LM 830 IP67 I CL. 30° SILVER ALU 17W

DETAILED CARD

## TECHNICAL PICTURES



Card creation date: 30 September 2024

The company reserves the right to make design changes or upgrades in the presented product. Product data sheet does not constitute an offer. \* Parameter tolerance is +/- 10%



This product is a subject to electric and electronic waste equipment regulations (WEEE).



Certificate CE - Nr: 55/2025