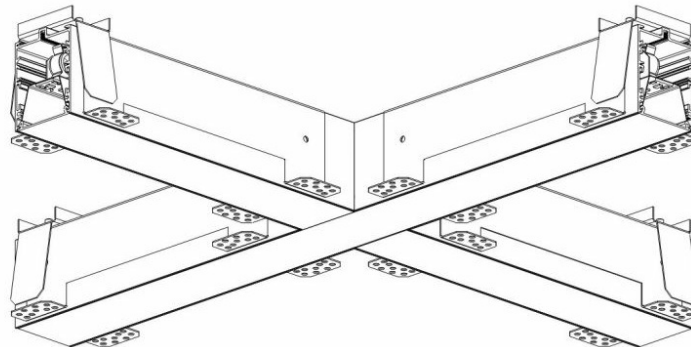


ELEGANTE SYSTEM LED CONNECTOR X 580X580MM

1400LM OPAL IP40 840 (16W)

DETAILED CARD



TECHNICAL PARAMETERS

Index:	388019
Ingress protection:	IP40/20
Impact resistance:	IK04
Nominal power [W]:	16
Luminous flux [lm]*:	1400
Colour temperature [K]:	4000
SDCM:	≤ 3
Energy efficiency class:	F
Material of the body:	aluminium
Colour of the body:	silver

CHARACTERISTICS

ELEGANTE LED SYSTEM is a modern office fixture designed for flush mounting. It provides a combination of high light parameters and a modern decorative effect. The optical design has been designed using an iridescent diaphragm with high permeability and uniform light distribution. Available system switches allow for the design of concealed light lines in various configurations (T, X, L). The advantage of the system's roofs is the lampshade without connections to max. length 25m.

APPLICATION

The luminaire is dedicated for internal use. For use in office and commercial facilities, in particular in representative rooms.

ELEGANTE SYSTEM LED CONNECTOR X 580X580MM

1400LM OPAL IP40 840 (16W)

DETAILED CARD

TECHNICAL PARAMETERS TABLE

Light source:	LED module	Impact resistance:	IK04
Nominal power [W]:	16	Ingress protection:	IP40/20
Rated power of the luminaire [W]:	17.68	Mounting version:	recessed
Supply voltage [V]:	220-240	Working temperature [°C]:	from -20 to +35
Frequency [Hz]:	50 - 60	Accessories included:	diffuser
Source luminous flux [lm]*:	2446	Through wiring:	3x2.5
Luminous flux [lm]:	1400	Net weight [kg]:	2.300
Luminous efficacy [lm/W]:	79	Gross weight [kg]:	2.800
Energy efficiency class:	F	Index:	388019
Electrical protection class:	I	EAN:	5905963388019
Colour temperature [K]:	4000	Category type:	systems
Colour rendering index:	>80	Version:	X connector
SDCM:	≤ 3	Product line:	SYSTEM 16W/8W
Power factor:	0.86	LED lifespan L80B20 [h]:	73000
LED lifespan L70B50 [h]:	115000	LED lifespan L90B10 [h]:	36000
Diffuser material:	PC	Light distribution type:	open space
Diffuser type:	OPAL	Kolejność:	D
Diffuser colour:	white	ETIM class:	EC000282
Material of the body:	aluminium	CE certificate:	244/2023
Colour of the body:	silver	Photobiological safety:	Risk Group 1 (no photobiological hazard under normal behavioral limitation)
Dimensions (H/W/T/S) [mm]:	580/580/65	Warranty [years]:	5
Mounting dimensions [mm]:	580/55/580/55	Manual:	Download PDF

ELEGANTE SYSTEM LED CONNECTOR X 580X580MM

1400LM OPAL IP40 840 (16W)

DETAILED CARD

ACCESSORIES AVAILABLE

index	Name
81000945	ELEGANTE LED SYSTEM - OPAL diffuser - 1 rm (max 25 rm)
388736	ELEGANTE SYSTEM LED end set
388743	ELEGANTE SYSTEM LED gniazdo 3 polowe
388750	ELEGANTE SYSTEM LED gniazdo 5 polowe
388767	ELEGANTE SYSTEM LED wtyk 3 polowy
388774	ELEGANTE SYSTEM LED wtyk 5 polowy
388729	ELEGANTE SYSTEM LED klosz PC opal co-extrusion+soft fixing part 25m



ELEGANTE SYSTEM LED gniazdo 3 polowe (388743)



ELEGANTE SYSTEM LED gniazdo 5 polowe (388750)



ELEGANTE SYSTEM LED wtyk 3 polowy (388767)



ELEGANTE SYSTEM LED wtyk 5 polowy (388774)



ELEGANTE SYSTEM LED klosz PC opal co-extrusion+soft fixing part 25m (388729)

Card creation date: 01 December 2021

The company reserves the right to make design changes or upgrades in the presented product. Product data sheet does not constitute an offer. * Parameter tolerance is +/- 10%



This product is a subject to electric and electronic waste equipment regulations (WEEE).



Certificate CE - Nr: 244/2023