

ILUMINATOR LED 4M 150800LM 840 90D IP54 (1124W) 25M UNI-SCHUKO CABLE

DETAILED CARD



TECHNICAL PARAMETERS

Index:	703324
Ingress protection:	IP66 / IP54 connector
Impact resistance:	IK09
Rated power of the luminaire [W]*:	1124
Luminous flux [lm]*:	150800
Colour temperature [K]:	4000
Color rendering index (Ra) >:	80
SDCM:	3
Electrical protection class:	I
Energy efficiency class:	D

CHARACTERISTICS

The LED illuminator is the latest generation of high-powered floodlight with an impressive luminous flux. It is characterised not only by very high luminous efficiency, but also by high IP66 sealing and IK09 impact resistance. These parameters have been achieved thanks to the branded components used, the robust cast aluminium housing and the use of a passive lamp cooling system, which allows the excess heat generated to be dissipated during lamp operation. An advantage of the LED Illuminator is its very quick and simple assembly - the lightweight steel arm is attached to a supporting structure (wall, pillar, crane, crane).

APPLICATION

It can be used and performs well both inside industrial halls, warehouses, sports halls, logistics centres and outdoors - on sports fields, cranes, cranes, construction sites.

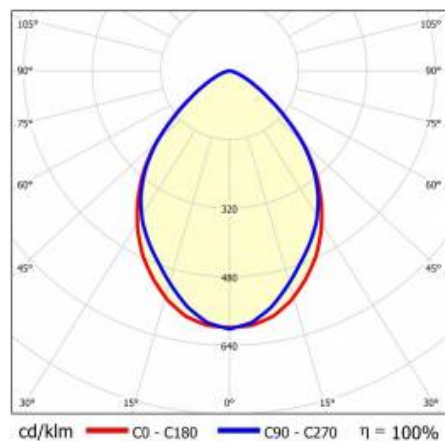
ILUMINATOR LED 4M 150800LM 840 90D IP54 (1124W) 25M UNI-SCHUKO CABLE

DETAILED CARD

TECHNICAL PARAMETERS TABLE

Index:	703324	Surge protection [kV]:	6
EAN:	5905963703324	Diffuser material:	PC
Rated power of the luminaire [W]:	1124	Material of the body:	aluminium
Luminous flux [lm]:	150800	Colour of the body:	RAL7016
Supply voltage [V]:	220 - 240	Dimensions (H/W/T/S) [mm]:	774/425/340
Frequency [Hz]:	47 - 63	Impact resistance:	IK09
Luminous efficacy [lm/W]:	134	Ingress protection:	IP66 / IP54 connector
Energy efficiency class:	D	Working temperature [°C]:	from -40 to +30
Electrical protection class:	I	Wire type:	H07RN-F 3x1.5 25.25 with uni-schuko connector
Colour temperature [K]:	4000	Cable length [m]:	25
Color rendering index (Ra) >:	80	Dimensions of single box [mm]:	430/810/175
SDCM:	3	Number on the palette [pcs]:	18
Power factor:	0.98	Net weight [kg]:	21.840
LED lifespan L70B50 [h]:	156000	Version:	4 modules
LED lifespan L80B10 [h]:	98000	Warranty [years]:	5
LED lifespan L90B10 [h]:	47000	CE certificate:	479/2023
Beam angle [°]:	90	Manual:	Download PDF

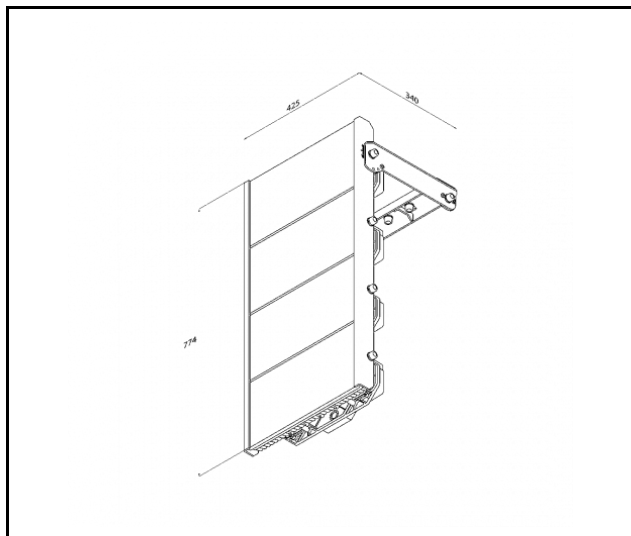
LIGHT CURVES



ILUMINATOR LED 4M 150800LM 840 90D IP54 (1124W) 25M UNI-SCHUKO CABLE

DETAILED CARD

TECHNICAL PICTURES



ILUMINATOR LED 4M 150800LM 840 90D IP54 (1124W) 25M UNI-SCHUKO CABLE

DETAILED CARD

ACCESSORIES AVAILABLE

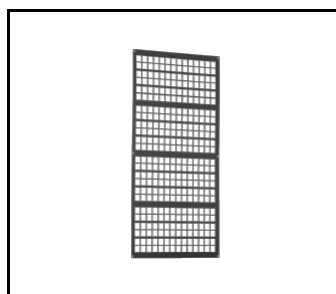
index	Name
608773	Steel stand 4.3m
16000154	Mounting bracket for LED Illuminator LED lamps
684791	Protective grid Factor LED 4M RAL7016
684777	Protective grid Factor LED 2M RAL7016
684760	Protective grid Factor LED 1M RAL7016



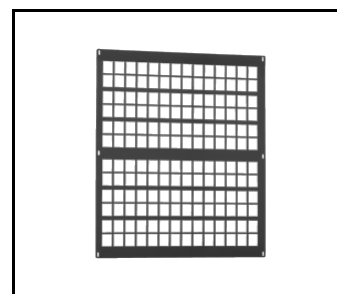
Steel stand 4.3m (608773)



Mounting bracket for LED Illuminator LED lamps (16000154)



Protective grid Factor LED 4M RAL7016 (684791)



Protective grid Factor LED 2M RAL7016 (684777)

Card creation date: 04 December 2023

The company reserves the right to make design changes or upgrades in the presented product. Product data sheet does not constitute an offer. * Parameter tolerance is +/- 10%



This product is a subject to electric and electronic waste equipment regulations (WEEE).



Certificate CE - Nr: 479/2023