

BARIS 52 LED DIR/IND IOT BT PIR HYT 1423MM 4550/2775LM 840 IP40 I CL. DALI PRM WHITE 36W/22W SINGLE SENSOR WITH INCL.

DETAILED CARD



TECHNICAL PARAMETERS

Ingress protection:	IP40
Impact resistance:	IK06
Nominal power [W]:	58
Luminous flux [lm]*:	7325
Colour temperature [K]:	4000
Material of the body:	aluminium
Colour of the body:	white
Diffuser material:	PC
Diffuser type:	PRM
Mounting version:	suspended

CHARACTERISTICS

Baris 52 LED IoT is a modern suspended lamp that combines elegant design with advanced technology. The modular design makes it easy to service and the unique suspension system ensures simple installation. Available with mounting box or optional plug-in socket.

IoT characteristicsThe IoT BT PIR HYT DALI version has: a built-in BT HYT module that allows you to program functions in the Lena Lighting Clue app and control in real time; PIR motion and daylight sensor and DALI driver for dimming the light source.

APPLICATION

The luminaire is dedicated to indoor use. It is used as a source of light for offices requiring focussed eyesight where low UGR and illumination of dark areas (e.g. ceilings) are required. The unique design, energy-efficient LED modules, and the possibility of cooperation with external lighting control systems in the DALI standard dedicate the luminaire to be used in modern office buildings of A+ class, with particular consideration for offices, representative rooms, conference halls, and passageways.

Baris 52 LED Single Clue IoT, as the name suggests, is a single luminaire with a pre-determined length. To create a line of length up to 6 meters without joining the profile and up to 25 meters without joining the diffuser allows version BARIS 52 LED.

BARIS 52 LED DIR/IND IOT BT PIR HYT 1423MM 4550/2775LM 840 IP40 I CL. DALI PRM WHITE 36W/22W SINGLE SENSOR WITH INCL.

DETAILED CARD

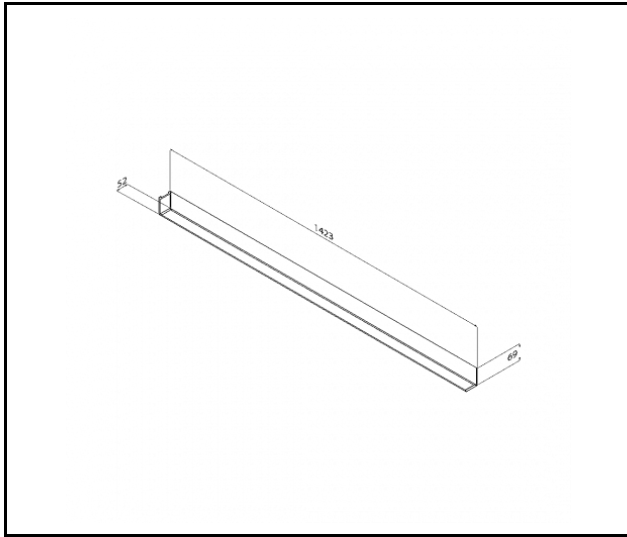
TECHNICAL PARAMETERS TABLE

Index:	932397	Colour of the body:	white
EAN:	5905963932397	Dimensions (H/W/T/S) [mm]:	1423/69/52
Light source:	LED module	Impact resistance:	IK06
Rated power of the luminaire [W]:	58	Ingress protection:	IP40
Luminous flux [lm]:	7325	Mounting version:	suspended
Supply voltage [V]:	220-240	Working temperature [°C]:	from -25 to +35
Frequency [Hz]:	50-60	DIMM DALI:	yes
Luminous efficacy [lm/W]:	126	Version:	BT PIR HYT DALI
Energy efficiency class:	D	Wire type:	5x0.75
Electrical protection class:	I	Cable length [m]:	1.50
Colour temperature [K]:	4000	Net weight [kg]:	2.800
Color rendering index (Ra) >:	80	UGR (4H8H):	19
SDCM:	3	Warranty [years]:	5
LED lifespan L70B50 [h]:	150000	CE certificate:	40/2026
LED lifespan L80B10 [h]:	100000	PZH certificate:	B-BK-60112-0357/2023
LED lifespan L90B10 [h]:	50000	Manual:	Download PDF
Diffuser material:	PC	Environmental Product Declaration (EPD):	852/2025
Diffuser type:	PRM	Category of application:	office lighting
Diffuser colour:	transparent	ISO Certificates:	9001:2015, 14001:2015, 45001:2018, 50001:2018
Optics:	no	Plik LDT:	Download
Material of the body:	aluminium		

BARIS 52 LED DIR/IND IOT BT PIR HYT 1423MM 4550/2775LM 840 IP40 I CL. DALI PRM WHITE 36W/22W SINGLE SENSOR WITH INCL.

TECHNICAL PICTURES

DETAILED CARD



Card creation date: 17 March 2026

The company reserves the right to make design changes or upgrades in the presented product. Product data sheet does not constitute an offer. * Parameter tolerance is +/- 10%



This product is a subject to electric and electronic waste equipment regulations (WEEE).



Certificate CE - Nr: 40/2026