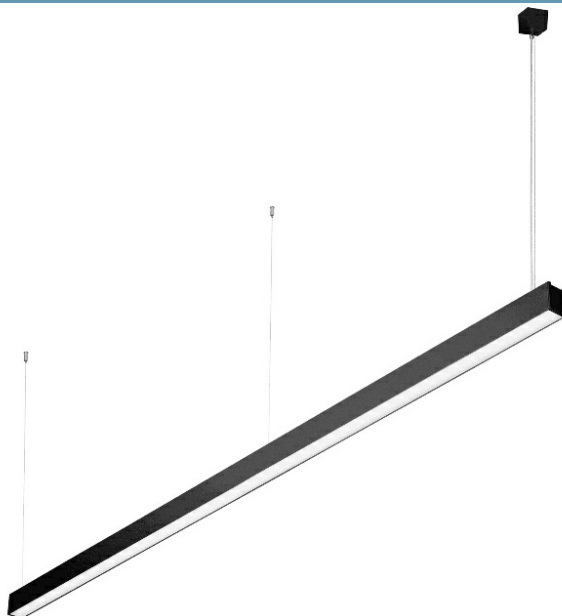


# BARIS 52 LED DIR/IND IOT BT PIR HYT 1423MM 4550/2775LM 840 IP20 I SCHUTZKLASSE DALI PRM SCHWARZ 36W/22W SINGLE SENSOR+POWER CORD 3P WITH SWITCH

DETAILED CARD



## TECHNICAL PARAMETERS

<b>Ingress protection:</b>	IP40
<b>Impact resistance:</b>	IK06
<b>Nominal power [W]:</b>	58
<b>Luminous flux [lm]*:</b>	7325
<b>Colour temperature [K]:</b>	4000
<b>Material of the body:</b>	aluminium
<b>Colour of the body:</b>	black
<b>Diffuser material:</b>	PC
<b>Diffuser type:</b>	PRM
<b>Mounting version:</b>	suspended

## CHARACTERISTICS

Baris 52 LED IoT is a modern suspended lamp that combines elegant design with advanced technology. The modular design makes it easy to service and the unique suspension system ensures simple installation. Available with mounting box or optional plug-in socket.

**IoT characteristics** The IoT BT PIR HYT DALI version has: a built-in BT HYT module that allows you to program functions in the Lena Lighting Clue app and control in real time; PIR motion and daylight sensor and DALI driver for dimming the light source.

## APPLICATION

The luminaire is dedicated to indoor use. It is used as a source of light for offices requiring focussed eyesight where low UGR and illumination of dark areas (e.g. ceilings) are required. The unique design, energy-efficient LED modules, and the possibility of cooperation with external lighting control systems in the DALI standard dedicate the luminaire to be used in modern office buildings of A+ class, with particular consideration for offices, representative rooms, conference halls, and passageways.

Baris 52 LED Single Clue IoT, as the name suggests, is a single luminaire with a pre-determined length. To create a line of length up to 6 meters without joining the profile and up to 25 meters without joining the diffuser allows version BARIS 52 LED.

# BARIS 52 LED DIR/IND IOT BT PIR HYT 1423MM 4550/2775LM 840 IP20 I SCHUTZKLASSE DALI PRM SCHWARZ 36W/22W SINGLE SENSOR+POWER CORD 3P WITH SWITCH

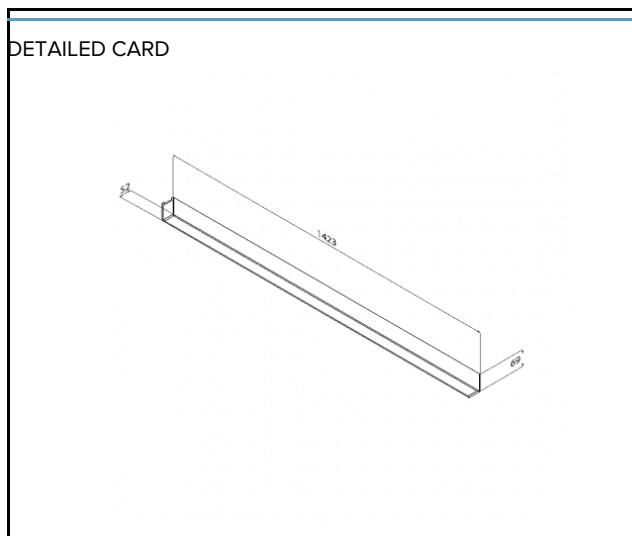
## TECHNICAL PARAMETERS TABLE

DETAILED CARD

Index:	932120	Material of the body:	aluminium
EAN:	5905963932120	Colour of the body:	black
Light source:	LED module	Dimensions (H/W/T/S) [mm]:	1423/69/52
Rated power of the luminaire [W]:	58	Impact resistance:	IK06
Luminous flux [lm]:	7325	Ingress protection:	IP40
Supply voltage [V]:	220-240	Mounting version:	suspended
Frequency [Hz]:	50-60	Working temperature [°C]:	from -25 to +35
Luminous efficacy [lm/W]:	126	DIMM DALI:	yes
Energy efficiency class:	D	Version:	BT PIR HYT DALI
Electrical protection class:	I	Wire type:	5x0.75
Colour temperature [K]:	4000	Cable length [m]:	1.50
Color rendering index (Ra) >:	80	Net weight [kg]:	2.800
SDCM:	3	UGR (4H8H):	19
LED lifespan L70B50 [h]:	150000	Warranty [years]:	5
LED lifespan L80B10 [h]:	100000	CE certificate:	<a href="#">40/2026</a>
LED lifespan L90B10 [h]:	50000	PZH certificate:	<a href="#">B-BK-60112-0357/2023</a>
Diffuser material:	PC	Manual:	<a href="#">Download PDF</a>
Diffuser type:	PRM	Environmental Product Declaration (EPD):	<a href="#">852/2025</a>
Diffuser colour:	transparent	Category of application:	office lighting
Optics:	no	ISO Certificates:	9001:2015, 14001:2015, 45001:2018, 50001:2018

# BARIS 52 LED DIR/IND IOT BT PIR HYT 1423MM 4550/2775LM 840 IP20 I SCHUTZKLASSE DALI PRM SCHWARZ 36W/22W SINGLE SENSOR+POWER CORD 3P With SWITCH

TECHNICAL PICTURES



Card creation date: 17 March 2026

The company reserves the right to make design changes or upgrades in the presented product. Product data sheet does not constitute an offer. \* Parameter tolerance is +/- 10%



This product is a subject to electric and electronic waste equipment regulations (WEEE).



Certificate CE - Nr: 40/2026