

BARIS 52 LED DIR/IND IOT BT PIR HYT 1423MM 4325/2650LM 830 IP40 I CL. DALI PRM BLACK 36W/22W SINGLE SENSOR WITH INCL.

DETAILED CARD



TECHNICAL PARAMETERS

Ingress protection:	IP40
Impact resistance:	IK06
Nominal power [W]:	58
Luminous flux [lm]*:	6975
Colour temperature [K]:	3000
Material of the body:	aluminium
Colour of the body:	black
Diffuser material:	PC
Diffuser type:	PRM
Mounting version:	suspended

CHARACTERISTICS

Baris 52 LED IoT is a modern suspended lamp that combines elegant design with advanced technology. The modular design makes it easy to service and the unique suspension system ensures simple installation. Available with mounting box or optional plug-in socket.

IoT characteristics The IoT BT PIR HYT DALI version has: a built-in BT HYT module that allows you to program functions in the Lena Lighting Clue app and control in real time; PIR motion and daylight sensor and DALI driver for dimming the light source.

APPLICATION

The luminaire is dedicated to indoor use. It is used as a source of light for offices requiring focussed eyesight where low UGR and illumination of dark areas (e.g. ceilings) are required. The unique design, energy-efficient LED modules, and the possibility of cooperation with external lighting control systems in the DALI standard dedicate the luminaire to be used in modern office buildings of A+ class, with particular consideration for offices, representative rooms, conference halls, and passageways.

Baris 52 LED DIR/IND Single, as the name suggests, is a single luminaire with a pre-determined length. To create a line of length up to 6 meters without joining the profile and up to 25 meters without joining the diffuser allows version BARIS 52 LED.

BARIS 52 LED DIR/IND IOT BT PIR HYT 1423MM 4325/2650LM 830 IP40 I CL. DALI PRM BLACK 36W/22W SINGLE SENSOR WITH INCL.

DETAILED CARD

TECHNICAL PARAMETERS TABLE

Index:	932304	Material of the body:	aluminium
EAN:	5905963932304	Colour of the body:	black
Light source:	LED module	Dimensions (H/W/T/S) [mm]:	1423/69/52
Rated power of the luminaire [W]:	58	Impact resistance:	IK06
Luminous flux [lm]:	6975	Ingress protection:	IP40
Supply voltage [V]:	220 - 240	Mounting version:	suspended
Frequency [Hz]:	50 - 60	Working temperature [°C]:	from -25 to +35
Luminous efficacy [lm/W]:	120	DIMM DALI:	yes
Energy efficiency class:	D	Version:	BT PIR HYT DALI
Electrical protection class:	I	Net weight [kg]:	2.800
Colour temperature [K]:	3000	Warranty [years]:	5
SDCM:	3	CE certificate:	40/2026
LED lifespan L70B50 [h]:	150000	PZH certificate:	B-BK-60112-0357/2023
LED lifespan L80B10 [h]:	100000	Manual:	Download PDF
LED lifespan L90B10 [h]:	50000	Environmental Product Declaration (EPD):	852/2025
Diffuser material:	PC	Category of application:	office lighting
Diffuser type:	PRM	ISO Certificates:	9001:2015, 14001:2015, 45001:2018, 50001:2018
Diffuser colour:	transparent	Plik LDT:	Download

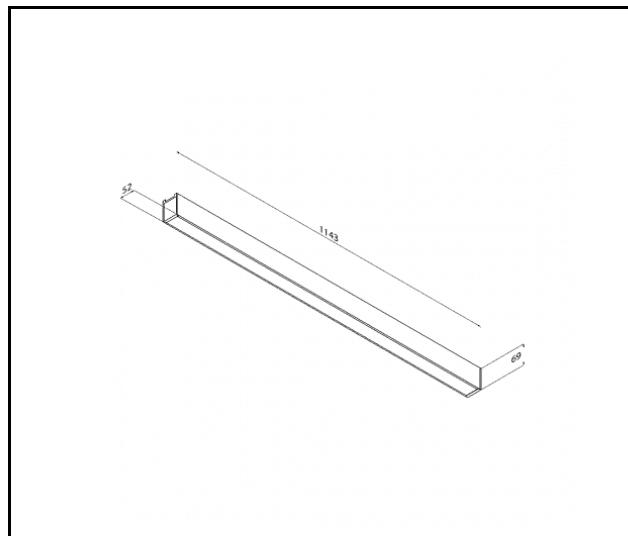
LIGHT CURVES



BARIS 52 LED DIR/IND IOT BT PIR HYT 1423MM 4325/2650LM 830 IP40 I CL. DALI PRM BLACK 36W/22W SINGLE SENSOR WITH INCL.

TECHNICAL PICTURES

DETAILED CARD



Card creation date: 17 March 2026

The company reserves the right to make design changes or upgrades in the presented product. Product data sheet does not constitute an offer. * Parameter tolerance is +/- 10%



This product is a subject to electric and electronic waste equipment regulations (WEEE).



Certificate CE - Nr: 40/2026



Lena Lighting S.A.
ul. Kórnicka 52, 63-000 Środa Wielkopolska
tel. +48 61 28 60 333 (Pn-Pt, 8-16), e-mail: hello@lenalighting.pl, www.lenalighting.pl