

BARIS 52 LED DIR/IND 1143MM 3650/1900LM 840 IP40 I CL. PRM BLACK 29W/15W SINGLE

DETAILED CARD



TECHNICAL PARAMETERS

Ingress protection:	IP40
Impact resistance:	IK06
Rated power of the luminaire [W]*:	44
Luminous flux [lm]*:	5550
Colour temperature [K]:	4000
SDCM:	3
Electrical protection class:	I
Energy efficiency class:	D
Material of the body:	aluminium
Colour of the body:	black

CHARACTERISTICS

Suspended luminaire with classic proportions and modern design. The body of the luminaire is made of anodised aluminium profile in grey or aluminium profile painted white or black (other colours available on request). The optical system is in the form of a prismatic diffuser (PRM) to ensure low UGR and OPAL (PLX) glare, illuminating the luminaire evenly. Indirect lighting, regardless of version, is always provided by the OPAL (PLX) diffuser. The modularity and demountability of the luminaire allow for the replacement of electronic components such as the LED strip, power supply, and diffuser by qualified personnel. Versions equipped with sensors that work with smart IoT modules additionally allow the level and amount of light provided by the luminaire to be optimised. Depending on the solution chosen, control can be either automatic or manual via the CLUE IN system and an app on the phone or a physical wall button. Manual adjustment of light intensity is possible via a physical button on the front of the luminaire (in endcap) for versions equipped with an on/off switch. The direct/indirect versions allow part of the light to be directed upwards, illuminating the ceiling, increasing the volume of light, and eliminating the unpleasant contrast between the directly illuminated surface (e.g. desktop, floor) and the ceiling. The luminaire has a unique suspension system, making it easy to install the luminaire and adjust the suspension. All Baris 52 LED DIR/IND Single pendant luminaires to include a 1.2m pendant cable with junction box included (except for the version with plug*) and are fitted with diffusers.

*Optionally the version with a plug can be ordered without a junction box - direct connection to a mains socket.

APPLICATION

The luminaire is dedicated to indoor use. It is used as a source of light for offices requiring focussed eyesight where low UGR and illumination of dark areas (e.g. ceilings) are required. The unique design, energy-efficient LED modules, and the possibility of cooperation with external lighting control systems in the DALI standard dedicate the luminaire to be used in modern office buildings of A+ class, with particular consideration for offices, representative rooms, conference halls, and passageways.

Baris 52 LED DIR/IND Single, as the name suggests, is a single luminaire with a pre-determined length. To create a line of length up to 6 meters without joining the profile and up to 25 meters without joining the diffuser allows version BARIS 52 LED.

BARIS 52 LED DIR/IND 1143MM 3650/1900LM 840 IP40 I CL. PRM BLACK 29W/15W SINGLE

DETAILED CARD

TECHNICAL PARAMETERS TABLE

Index:	932724	Diffuser colour:	transparent
EAN:	5905963932724	Material of the body:	aluminium
Light source:	LED module	Colour of the body:	black
Rated power of the luminaire [W]:	44	Dimensions (H/W/T/S) [mm]:	1143/69/52
Luminous flux [lm]:	5550	Mounting dimensions [mm]:	1035
Supply voltage [V]:	220 - 240	Impact resistance:	IK06
Frequency [Hz]:	50 - 60	Ingress protection:	IP40
Luminous efficacy [lm/W]:	126	Mounting version:	suspended
Energy efficiency class:	D	Working temperature [°C]:	from -25 to +35
Electrical protection class:	I	Net weight [kg]:	2.400
Colour temperature [K]:	4000	Light distribution type:	open space
SDCM:	3	ETIM class:	EC000109
LED lifespan L70B50 [h]:	150000	Category of application:	office lighting
LED lifespan L80B10 [h]:	100000	Warranty [years]:	5
LED lifespan L90B10 [h]:	50000	CE certificate:	227/2023
Power factor:	0.90	PZH certificate:	B-BK-60112-0357/2023
Surge protection [kV]:	1	Manual:	Download PDF
Diffuser material:	PC	Environmental Product Declaration (EPD):	852/2025
Diffuser type:	PRM	ISO Certificates:	9001:2015, 14001:2015, 45001:2018, 50001:2018

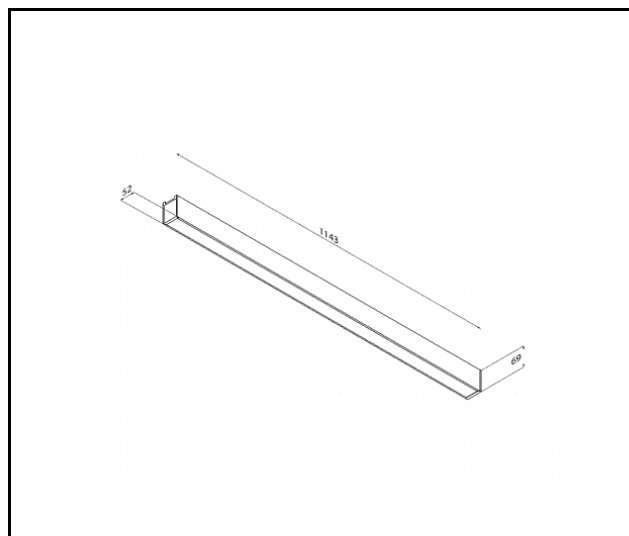
LIGHT CURVES



BARIS 52 LED DIR/IND 1143MM 3650/1900LM 840 IP40 I CL. PRM BLACK 29W/15W SINGLE

DETAILED CARD

TECHNICAL PICTURES



Card creation date: 16 March 2026

The company reserves the right to make design changes or upgrades in the presented product. Product data sheet does not constitute an offer. * Parameter tolerance is +/- 10%



This product is a subject to electric and electronic waste equipment regulations (WEEE).



Certificate CE - Nr: 227/2023



Lena Lighting S.A.
ul. Kórnicka 52, 63-000 Środa Wielkopolska
tel. +48 61 28 60 333 (Pn-Pt, 8-16), e-mail: hello@lenalighting.pl, www.lenalighting.pl